



NASRec: Weight Sharing Neural Architecture Search for Recommender Systems

Tunhou Zhang*
Duke University
Durham, USA
tunhou.zhang@duke.edu

Dehua Cheng
Meta AI
Menlo Park, USA
dehuacheng@fb.com

Yuchen He
Meta AI
Menlo Park, USA
yuchenhe@fb.com

Zhengxing Chen
Meta AI
Menlo Park, USA
czxttkl@fb.com

Xiaoliang Dai
Meta AI
Menlo Park, USA
xiaoliangdai@fb.com

Liang Xiong
Meta AI
Menlo Park, USA
lxiong@fb.com

Feng Yan
University of Houston
Houston, USA
fyan5@central.uh.edu

Hai Li
Duke University
Durham, USA
hai.li@duke.edu

Yiran Chen
Duke University
Durham, USA
yiran.chen@duke.edu

Wei Wen[†]
Meta AI
Menlo Park, USA
wewen@fb.com

ABSTRACT

The rise of deep neural networks offers new opportunities in optimizing recommender systems. However, optimizing recommender systems using deep neural networks requires delicate architecture fabrication. We propose NASRec, a paradigm that trains a single supernet and efficiently produces abundant models/sub-architectures by weight sharing. To overcome the data multi-modality and architecture heterogeneity challenges in the recommendation domain, NASRec establishes a large supernet (i.e., search space) to search the full architectures. The supernet incorporates versatile choice of operators and dense connectivity to minimize human efforts for finding priors. The scale and heterogeneity in NASRec impose several challenges, such as training inefficiency, operator-imbalance, and degraded rank correlation. We tackle these challenges by proposing single-operator any-connection sampling, operator-balancing interaction modules, and post-training fine-tuning. Our crafted models, NASRecNet, show promising results on three Click-Through Rates (CTR) prediction benchmarks, indicating that NASRec outperforms both manually designed models and existing NAS methods with state-of-the-art performance. Our work is publicly available here.

CCS CONCEPTS

• **Information systems** → **Recommender systems**; • **Computing methodologies** → **Discrete space search**; **Neural networks**.

*A majority of this work was done when the first author was an intern at Meta Platforms, Inc.

[†]Corresponding author. Intern Manager.

Permission to make digital or hard copies of all or part of this work for personal or classroom use is granted without fee provided that copies are not made or distributed for profit or commercial advantage and that copies bear this notice and the full citation on the first page. Copyrights for components of this work owned by others than the author(s) must be honored. Abstracting with credit is permitted. To copy otherwise, or republish, to post on servers or to redistribute to lists, requires prior specific permission and/or a fee. Request permissions from permissions@acm.org.

WWW '23, April 30–May 04, 2023, Austin, TX, USA

© 2023 Copyright held by the owner/author(s). Publication rights licensed to ACM.

ACM ISBN 978-1-4503-9416-1/23/04...\$15.00

<https://doi.org/10.1145/3543507.3583446>

KEYWORDS

recommender systems, neural architecture search, weight sharing, regularized evolution, neural networks

ACM Reference Format:

Tunhou Zhang, Dehua Cheng, Yuchen He, Zhengxing Chen, Xiaoliang Dai, Liang Xiong, Feng Yan, Hai Li, Yiran Chen, and Wei Wen. 2023. NASRec: Weight Sharing Neural Architecture Search for Recommender Systems. In *Proceedings of the ACM Web Conference 2023 (WWW '23)*, April 30–May 04, 2023, Austin, TX, USA. ACM, New York, NY, USA, 9 pages. <https://doi.org/10.1145/3543507.3583446>

1 INTRODUCTION

Deep learning plays an essential role in designing modern recommender systems at web-scale in real-world applications. For example, the most widely used search engines and social medias [5, 17] harness recommender systems (or ranking systems) to optimize the Click-Through Rates (CTR) of personalized pages [8, 13, 23]. Deep learning models rely on delicate neural architecture engineering.

Deep learning based recommender systems, especially CTR prediction, carries a neural architecture design upon multi-modality features. In practice, various challenges arise. The multi-modality features, such as floating-point, integer, and categorical features, present a concrete challenge in feature interaction modeling and neural network optimization. Finding a good backbone model with heterogeneous architectures assigning appropriate priors upon multi-modality features are common practices in deep learning based recommender systems [7, 14, 16, 19, 23, 25, 27, 28]. Yet, these approaches still rely on significant manual efforts and suffer from limitations, such as narrow design spaces and insufficient experimental trials bounded by available resources. As a result, these limitations add difficulty in designing a good feature extractor.

The rise of Automated Machine Learning (AutoML), especially Neural Architecture Search (NAS) [4, 21, 37, 39], in the vision domain, sheds light in optimizing models of recommender systems. Weight-Sharing NAS (WS-NAS) [3, 4, 21] is popularly adopted in vision domain to tackle the design of efficient vision models.

Table 1: Comparison of NASRec vs. existing NAS methods for recommender systems.

Method	Building Operators?	Dense Connectivity?	Full arch Search?	Criteo Log Loss	Training Cost
DNAS [18]	FC, Dot-Product	✓		0.4442	One supernet
PROFIT [11]	FC, FM			0.4427	One supernet
AutoCTR [30]	FC, Dot-Product, FM, EFC	✓	✓	0.4413	Many models
NASRec	FC, Gating, Sum, Attention, Dot-Product, FM, EFC	✓	✓	0.4399	One supernet

However, applying weight-sharing NAS to recommendation domain is much more challenging than vision domain because of the multi-modality in data and the heterogeneity in architectures. For example, (1) in vision, inputs of building blocks in [4, 33] are homogeneous 3D tensors, but recommender systems take in multi-modality features generating 2D and 3D tensors. (2) Vision models simply stack the same building blocks, and thus state-of-the-art NAS in vision converges to simply searching size configurations instead of architecture motifs, such as channel width, kernel sizes, and layer repeats [4, 38]. However, recommendation models are heterogeneous with each stage of the model using a completely different building block [7, 14, 19, 23]. (3) Vision models mainly use convolutional operator as the main building block while recommender systems are built over heterogeneous operators, such as, Fully-Connected layer, Gating, Sum, Dot-Product, Multi-Head Attention, Factorization Machine, etc.

Due to the aforementioned challenges, study of NAS in recommender systems is very limited. For example, search spaces in AutoCTR [30] and DNAS [18] follow the design principle of human-crafted DLRM [23] and they only include Fully-Connected layer and Dot-Product as searchable operators. They also heavily rely on manually crafted operators, such as Factorization Machine [30] or feature interaction module [11] in the search space to increase architecture heterogeneity. Moreover, existing works suffer from either huge computation cost [30] or challenging bi-level optimization [18], and thus they only employ narrow design spaces (sometimes with strong human priors [11]) to craft architectures, discouraging diversified feature interactions and harming the quality of discovered models.

In this paper, we hereby propose NASRec, a new paradigm to fully enable **NAS** for **Recommender** systems via Weight Sharing Neural Architecture Search (WS-NAS) under data modality and architecture heterogeneity. Table 1 summarizes the advancement of NASRec over other NAS approaches. We achieve this by first building up a supernet that incorporates much more heterogeneous operators than previous works, including Fully-Connected (FC) layer, Gating, Sum, Dot-Product, Self-Attention, and Embedded Fully-Connected (EFC) layer. In the supernet, we densely connect a cascade of blocks, each of which includes all operators as options. As any block can take in any raw feature embeddings and intermediate tensors by dense connectivity, the supernet is not limited by any particular data modality. Such supernet design minimizes the encoding of human priors by introducing “NASRec Search Space”, supporting the nature of data modality and architecture heterogeneity in recommenders, and covering models beyond popular recommendation models such as Wide & Deep [7], DeepFM [14], DLRM [23], AutoCTR [30], DNAS [18], and PROFIT [11].

The supernet essentially forms a search space. We obtain a model by zeroing out some operators and connections in the supernet, that

is, a subnet of the supernet is equivalent to a model. As all subnets share weights from the same supernet, it is dubbed as Weight Sharing NAS. To efficiently search models/subnets in the NASRec search space, we advance one-shot approaches [4, 38] to recommendation domain. We propose *Single-operator Any-connection sampling* to decouple operator selections and increase connection coverage, *operator-balancing interaction* blocks to fairly train subnets in the supernet, and *post-training fine-tuning* to reduce weight co-adaptation. These approaches enable a better training efficiency and ranking of subnet models in the supernet, resulting in ~ 0.001 log loss reduction of searched models on full NASRec search space.

We evaluate our NAS-crafted models, NASRecNets on three popular CTR benchmarks and demonstrate significant improvements compared to both hand-crafted models and NAS-crafted models. Remarkably, NASRecNet advances the state-of-the-art with log loss reduction of ~ 0.001 , ~ 0.003 on Criteo and KDD Cup 2012, respectively. On Avazu, NASRec advances the state-of-the-art PROFIT [11] with AUC improvement of ~ 0.002 and on-par log loss, while outperforming PROFIT [11] on Criteo by ~ 0.003 log loss reduction.

NASRec only needs to train a single supernet thanks to the efficient weight sharing mechanism, and thus greatly reduces the search cost. We summarize our major contributions below.

- We propose NASRec, a new paradigm to scale up automated modeling of recommender systems. NASRec establishes a flexible supernet (search space) with minimal human priors, overcoming data modality and architecture heterogeneity challenges in the recommendation domain.
- We advance weight sharing NAS to recommendation domain by introducing single-operator any-connection sampling, operator-balancing interaction modules, and post-training fine-tuning.
- Our crafted models, NASRecNet, outperforms both hand-crafted models and NAS-crafted models with a smaller search cost.

2 RELATED WORK

Deep learning based recommender systems. Machine-based recommender systems such as Click-Through Rates (CTR) prediction has been thoroughly investigated in various approaches, such as Logistic Regression [27], and Gradient-Boosting Decision Trees [16]. More recent approaches study deep learning based interaction of different types of features via Wide & Deep Neural Networks [7], DeepCrossing [28], Factorization Machines [14, 19], Dot-Product [23] and gating mechanism [34, 35]. Another line of research seeks efficient feature interactions, such as feature-wise multiplications [36] and sparsifications [9] to build light-weight recommender systems. Yet, these works operate the cost of tremendous manual efforts and suffer from sub-optimal performance and constrained design choices due to the limitations in resource supply. Our work establishes a new paradigm on learning effective recommender models by crafting a scalable “NASRec search space”

that incorporates all popular design motifs in existing works. The new NASRec search space supports a wide range of design choices and enables scalable optimization to craft recommender models of varying requirements.

Neural Architecture Search. Neural Architecture Search automates the design of Deep Neural Networks in various applications: the popularity of Neural Architecture Search is consistently growing in brewing Computer Vision [4, 21, 37, 39], Natural Language Processing [29, 33], and Recommendation Systems [11, 18, 30]. Recently, Weight-Sharing NAS (WS-NAS) [4, 33] attracts the attention of researchers: it trains a supernet that represents the whole search space directly on target tasks, and efficiently evaluate subnets (i.e., sub-architectures of supernet) with shared supernet weights. Yet, carrying WS-NAS on recommender systems is challenging because recommender systems are brewed upon heterogeneous architectures that are dedicated to interacting multi-modality data, thus require more flexible search spaces and effective supernet training algorithms. Those challenges induce the co-adaptation problem [2] and operator-imbalance problem [20] in WS-NAS, providing a lower rank correlation to distinguish models. NASRec addresses them by proposing single-operator any-connection sampling, operator-balancing interaction modules, and post-training fine-tuning.

3 HIERARCHICAL NASREC SPACE FOR RECOMMENDER SYSTEMS

To support data modality and architecture heterogeneity in recommender systems, the flexibility of search space is the key. We establish a new paradigm free of human priors by introducing *NASRec search space*, a hierarchical search space design that incorporates heterogeneous building operators and dense connectivity, see Figure 1. The major manual process in designing the search space is simply collecting common operators used in existing approaches [14, 19, 23, 30, 34, 35]. Beyond that, we further incorporate the prevailing Transformer Encoder [32] into the NASRec search space for better flexibility and higher potential in searched architectures, thanks to its dominance in applications such as ViT [10] for image recognition, Transformer [32] for natural language processing, and its emerging exploration in recommender systems [6, 12].

Next, we demonstrate the NASRec search space.

3.1 NASRec Search Space

In recommender systems, we define a dense input as $X_d \in \mathbb{R}^{B \times dim_d}$ which is a 2D tensor from either raw dense features or generated by operators, such as FC, Gating, Sum, and Dot-Product. A sparse input $X_s \in \mathbb{R}^{B \times N_s \times dim_s}$ is a 3D tensor of sparse embeddings either generated by raw sparse/categorical features or by operators such as EFC and self-attention. Similarly, a dense or sparse output (i.e., Y_d or Y_s) is respectively defined as a 2D or 3D tensor produced via a corresponding building blocks/operators. In NASRec, all sparse inputs and outputs share the same dim_s , which equals to the dimension of raw sparse embeddings. Accordingly, we define a dense (sparse) operator as an operator that produces a dense (sparse) output. In NASRec, dense operators include FC, Gating, Sum, and Dot-Product which form the “dense branch” (marked in blue), and sparse operators include EFC and self-attention, which form the “sparse branch” (marked in red).

A candidate architecture in NASRec search space is a stack of N choice blocks, followed by a final FC layer to compute logit. Each choice block admits an arbitrary number of multi-modality inputs, each of which is $X = (X_d, X_s)$ from a previous block or raw inputs, and produces a multi-modality output $Y = (Y_d, Y_s)$ of both a dense tensor Y_d and a sparse tensor Y_s via internal building operators. Within each choice block, we can sample operators for search.

We construct a supernet to represent the NASRec search space, see Figure 1. The supernet subsumes all possible candidate models/subnets and performs weight sharing among subnets to simultaneously train all of them. We formally define the NASRec supernet \mathcal{S} as a tuple of connections C , operators O , and dimensions \mathcal{D} as follows: $\mathcal{S} = (C, \mathcal{D}, O)$ over all N choice blocks. Specifically, the operators: $O = [O^{(1)}, \dots, O^{(N)}]$ enumerates the set of building operators from choice block 1 to N . The connections: $C = [C^{(1)}, \dots, C^{(N)}]$ contains the connectivity $\langle i, j \rangle$ between choice block i and choice block j . The dimension: $\mathcal{D} = [D^{(1)}, \dots, D^{(N)}]$ contains the dimension settings from choice block 1 to N .

A subnet $S_{sample} = (O_{sample}, C_{sample}, \mathcal{D}_{sample})$ in the supernet \mathcal{S} represents a model in NASRec search space. A block uses addition to aggregate the outputs of sampled operators in each branch (i.e. “dense branch” or “sparse branch”). When the operator output dimensions do not match, we apply a zero masking to mask out the extra dimension. A block uses concatenation *Concat* to aggregate the outputs from sampled connections. Given a sampled subnet S_{sample} , the input $X^{(N)}$ to choice block N is computed as follows given a list of previous block outputs $\{Y^{(1)}, \dots, Y^{(N-1)}\}$ and the sampled connections $C_{sample}^{(N)}$:

$$X_d^{(N)} = \text{Concat}_{i=1}^{N-1} [Y_d^{(i)} \cdot \mathbf{1}_{\langle i, N \rangle \in C_{sample}^{(N)}}], \quad (1)$$

$$X_s^{(N)} = \text{Concat}_{i=1}^{N-1} [Y_s^{(i)} \cdot \mathbf{1}_{\langle i, N \rangle \in C_{sample}^{(N)}}]. \quad (2)$$

Here, $\mathbf{1}_b$ is 1 when b is true otherwise 0.

A building operator $o \in O_{sample}^{(N)}$ transforms the concatenated input $X^{(N)}$ into an intermediate output with a sampled dimension $D_{sample}^{(N)}$. This is achieved by a mask function that applied on the last dimension for dense output and middle dimension for sparse output. For example, a dense output $Y_d^{(N)}$ is obtained as follows:

$$Y_d^{(N)} = \sum_{o \in O_{sample}^{(N)}} \mathbf{1}_{o \in O_{sample}^{(N)}} \cdot \text{Mask}(o(X_d^{(N)}), D_{sample}^{(N)}, o). \quad (3)$$

where

$$\text{Mask}(V, d) = \begin{cases} V_{:,i}, & \text{if } i < d \\ 0, & \text{Otherwise.} \end{cases} \quad (4)$$

Next, we clarify the set of building operators as follows:

- **Fully-Connected (FC) layer.** Fully-Connected layer is the backbone of DNN models for recommender systems [7] that extracts dense representations. FC is applied on 2D dense inputs, and followed by a ReLU activation.
- **Sigmoid Gating (SG) layer.** We follow the intuition in [6, 35] and employ a dense building operator, Sigmoid Gating, to enhance the potential of the search space. Given two dense inputs $X_{d1} \in \mathbb{R}^{B \times dim_{d1}}$ and $X_{d2} \in \mathbb{R}^{B \times dim_{d2}}$, Sigmoid Gating interacts these two inputs as follows: $SG(X_{d1}, X_{d2}) = \text{sigmoid}(FC(X_{d1})) * X_{d2}$. If the dimension of two dense inputs does not match, a zero padding is applied on the input with a lower dimension.

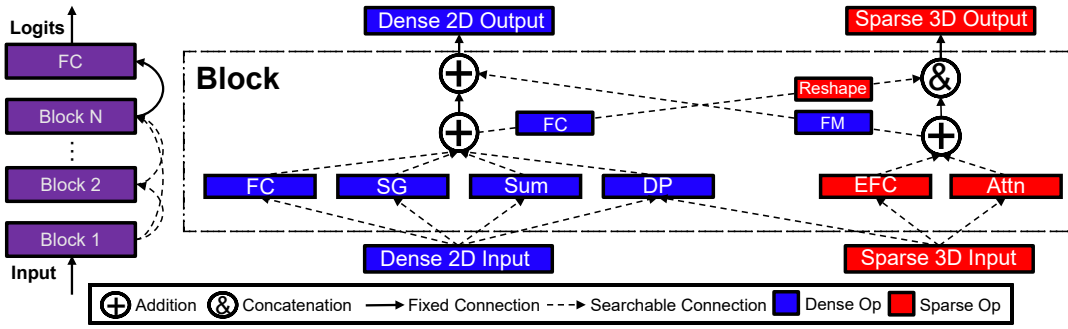


Figure 1: Overview of NASRec search space. NASRec search space enables a full architecture search on building operators and dense connectivity. Here, “blue” blocks produce a dense output, and “red” blocks produce a sparse output.

- **Sum layer.** This dense building operator adds two dense inputs: $X_{d1} \in \mathbb{R}^{B \times dim_{d1}}$, $X_{d2} \in \mathbb{R}^{B \times dim_{d2}}$ and merges two features from different levels of the recommender system models by simply performing $Sum(X_{d1}, X_{d2}) = X_{d1} + X_{d2}$. Similar to Sigmoid Gating, a zero padding is applied on the input with a lower dimension.
- **Dot-Product (DP) layer.** We leverage Dot-Product to grasp the interactions among multi-modality inputs via a pairwise inner products. Dot-Product can take dense and/or sparse inputs, and produce a dense output. These sparse inputs, after being sent to “dense branch”, can later take advantage of the dense operators to learn better representations and interactions. Given a dense input $X_d \in \mathbb{R}^{B \times dim_d}$ and a sparse input $X_s \in \mathbb{R}^{B \times N_c \times dim_s}$, a Dot-Product first concatenate them as $X = Concat[X_d, X_s]$, and then performs pair-wise inner products: $DP(X_d, X_s) = Triu(XX^T)$. dim_d is first projected to dim_s if they do not match.
- **Embedded Fully-Connected (EFC) layer.** An EFC layer is a sparse building operator that applies FC along the middle dimension. Specifically, an EFC with weights $W \in \mathbb{R}^{N_{in} \times N_{out}}$ transforms an input $X_s \in \mathbb{R}^{B \times N_{in} \times dim_s}$ to $Y_s \in \mathbb{R}^{B \times N_{out} \times dim_s}$.
- **Attention (Attn) layer.** Attention layer is a sparse building operator that utilizes Multi-Head Attention (MHA) mechanism to learn the weighting of sparse inputs and better exploit their interaction in recommendation systems. Here, We apply Transformer Encoder on a given sparse input $X_s \in \mathbb{R}^{B \times N_s \times dim_s}$, with identical queries, keys, and values.

We observe that the aforementioned set of building operators provide opportunities for the sparse inputs to transform into the “dense branch”. Yet, these operators do not permit a transformation of dense inputs towards the “sparse branch”. To address this limitation, we introduce “dense-sparse merger” allow dense/sparse outputs to optionally merge into the “sparse/dense branch”. Dense-sparse merger contains two major components.

- “Dense-to-sparse” merger. This merger first projects the dense outputs X_d using a FC layer, then uses a reshape layer to reshape the projection into a 3D sparse tensor. The reshaped 3D tensor is merged into the sparse output via concatenation.
- “Sparse-to-dense” merger. This merger employs a Factorization Machine (FM) [14] to convert the sparse output into a dense representation, then add the dense representation to dense output.

Beyond the rich choices of building operators and mergers, each choice block can also receive inputs from any preceding choice blocks, and raw input features. This involves an exploration of any

connectivity among choice blocks and raw inputs, extending the wiring heterogeneity for search.

3.2 Search Components

In NASRec search space, we search the connectivity, operator dimensions, and building operators in each choice block. We illustrate the three key search components as follows:

- **Connection.** We place no restrictions on the number of connections that a choice block can receive: each block can choose inputs from an arbitrary number of preceding blocks and raw inputs. Specifically, the n -th choice block can connect to any previous $n - 1$ choice blocks and the raw dense (sparse) features. The outputs from all preceding blocks are concatenated as inputs for dense (sparse) building blocks. We separately concatenate the dense (sparse) outputs from preceding blocks.
- **Dimension.** In a choice block, different operators may produce different tensor dimensions. In NASRec, we set the output sizes of FC and EFC to dim_d and N_s , respectively; and other operator outputs in dense (sparse) branch are linearly projected to dim_d (N_s). This ensures operator outputs in each branch have the same dimension and can add together. This also give the maximum dimensions dim_d and N_s for the dense output $Y_d \in \mathbb{R}^{B \times dim_d}$ and the sparse output $Y_s \in \mathbb{R}^{B \times N_s \times dim_s}$. Given a dense or sparse output, a mask in Eq. 4 zeros out the extra dimensions, which allows flexible selections of dimensions of building operators.
- **Operator.** Each block can choose at least one dense (sparse) building operator to transform inputs to a dense (sparse) output. Each block should maintain at least one operator in the dense (sparse) branch to ensure the flow of information from inputs to logit. We independently sample building operators in the dense (sparse) branch to form a validate candidate architecture. In addition, we independently sample dense-sparse mergers to allow optional dense-to-sparse interaction.

We craft two NASRec search spaces as examples to demonstrate the power of NASRec search space.

- **NASRec-Small.** We limit the choice of operators within each block to FC, EFC, and Dot-Product, and allow any connectivity between blocks. This provides a similar scale of search space as AutoCTR [30].
- **NASRec-Full.** We enable all building operators, mergers and connections to construct an aggressive search space for exploration with minimal human priors. Under the constraint that at least one

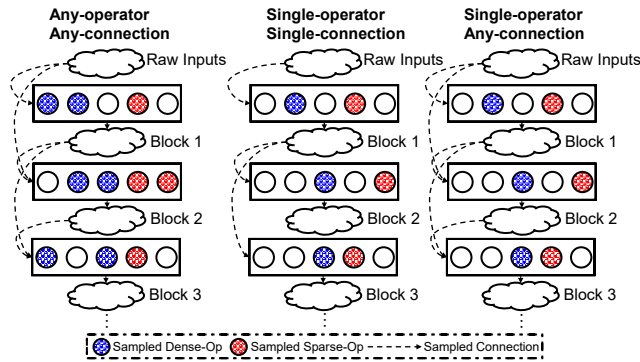


Figure 2: We propose Single-operator Any-connection path sampling by combining the advantages of the first two sampling strategies. Here, dashed connections and operators denotes a sampled path in supernet.

operator must be sampled in both dense and sparse branch, the *NASRec-Full* search space size is $15^N \times$ of *NASRec-Small*, where N is the number of choice blocks. This full search space extremely tests the capability of NASRec.

The combination of full dense connectivity search and independent dense/sparse dimension configuration gives the NASRec search space a large cardinality. *NASRec-Full* has $N = 7$ blocks, containing up to 5×10^{33} architectures with strong heterogeneity. With minimal human priors and such unconstrained search space, brutal-force sample-based methods may take enormous time to find a state-of-the-art model.

4 WEIGHT SHARING NEURAL ARCHITECTURE SEARCH FOR RECOMMENDER SYSTEMS

A NASRec supernet simultaneously brews different subnet models in the NASRec search space, yet imposes challenges to training efficiency and ranking quality due to its large cardinality. In this section, we first propose a novel path sampling strategy, *Single-operator Any-connection* sampling, that decouples operator sampling with a good connection sampling converge. We further observe the operator imbalance phenomenon induced by some over-parameterized operators, and tackle this issue by *operator-balancing interaction* to improve supernet ranking. Finally, we employ *post-training fine-tuning* to alleviate weight co-adaptation, and further utilize regularized evolution to obtain the best subnet. We also provide a set of insights that effectively explore the best recommender models.

4.1 Single-operator Any-Connection Sampling

The supernet training adopts a drop-out like approach. At each mini-batch, we sample and train a subnet. During training, we train lots of subnets under weight sharing, with the goal that subnets are well trained to predict the performance of models. Sampling strategies are important to meet the goal. We explore three path sampling strategies depicted in Figure 2 and discover Single-operator Any-Connection sampling is the most effective way:

- **Single-operator Single-connection strategy.** This path sampling strategy has its root in Computer Vision [15]: it uniformly samples a single dense and a single sparse operator in each choice block, and uniformly samples a single connection as an input

- Single-operator Single-connection: Pearson=0.05, Kendall=0.02
- Any-operator Any-connection: Pearson=0.367, Kendall=0.280
- Single-operator Any-connection: Pearson=0.457, Kendall=0.436

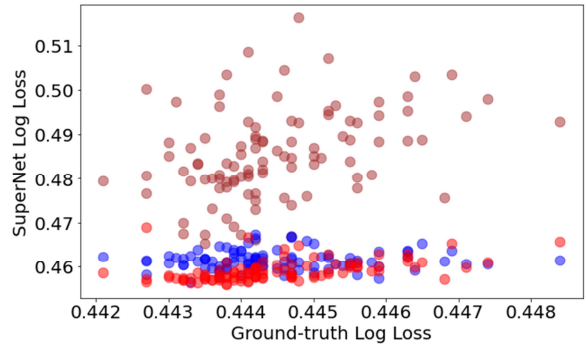


Figure 3: Ranking evaluation of various path sampling strategies on *NASRec-Full* supernet. We evaluate all ranking coefficients over 100 randomly sampled subnets on Criteo.

to a block. The strategy is efficient because, on average, only a small subnet is trained at one mini-batch, however, this strategy only encourages chain-like formulation of models without extra connectivity patterns. The lack of connectivity coverage yields slower convergence, poor performance, and inaccurate ranking of models as we will show.

- **Any-operator Any-connection Strategy.** This sampling strategy increases the coverage of sub-architectures of supernet during subnet training: it uniformly samples an arbitrary number of dense and sparse operators in each choice block, and uniformly sample an arbitrary number of connections to aggregate different block outputs. Yet, the training efficiency is poor when training sampled large subnets. More importantly, the weight co-adaptation of multiple operators within a choice block may affect independent evaluation of the subnets, and thus eventually lead to poor ranking quality as we will show.
- **Single-operator Any-connection.** We propose this path sampling strategy to combine the strengths from above two strategies. Single-operator Any-connection samples a single dense and a single sparse operator in each choice block, and samples an arbitrary number of connections to aggregate the outputs from different choice blocks. The key insight of this strategy is separating the sampling of parametric operators to avoid the co-adaptation of weights, and allowing arbitrarily sample of non-parametric connections to gain a good coverage of the NASRec search space.

Compared to Any-operator Any-connection sampling, single-operator Any-connection sampling achieves higher training efficiency: the reduced number of sampled operators reduces the training cost by up to 1.5×. In addition, Single-operator Any-connection samples medium-sized networks more frequently. These medium-sized networks achieve the best trade-off between model size and performance as we will show in Table 5.

We evaluate the ranking of subnets by WS-NAS on Criteo and by 100 randomly sampled networks in Figure 3. Here, we adopt the design of operator-balancing interaction modules in Section 4.2 to maximize the potential of each path sampling strategy. In the figure, the y-axis is the Log Loss of subnets, whose weights are copied from corresponding architectures in the trained supernet.

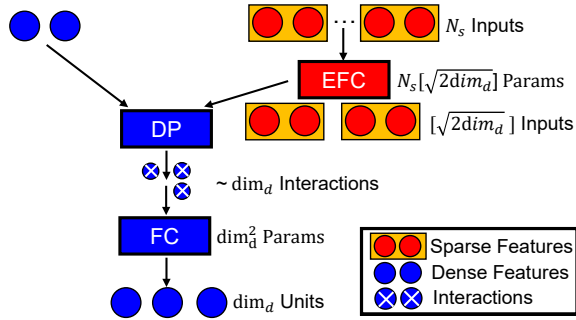


Figure 4: Operator-balancing interaction inserts a simple EFC layer before Dot-Product to ensure linear parameter consumption and balance building operators.

Single-operator Any-connection achieves at least 0.09 higher Pearson’s Rho and 0.15 higher Kendall’s Tau compared to other path sampling strategies. In addition, we observe that Single-operator Any-connection sampling allows better convergence of the NASRec supernet and subnets that inherit weights from supernet achieve lower log loss during validation, leading to a better exploitation of their ground-truth performance for a better ranking quality.

4.2 Operator-Balancing Interaction Modules

Recommender systems involve multi-modality data with an indefinite number of inputs, for example, a large number of sparse inputs. We define operator imbalance as the imbalance of the numbers of weights between operators within a block. In weight-sharing NAS, operator imbalance may cause the issue that supernet training may favor operators with more weights. This will offset the gains due to poor ranking correlations of subnets: the subnet performance in supernet may deviate from its ground-truth performance when trained from scratch. We identify that, in our NASRec, such an issue is strongly related to the Dot-Product operator, and provide mitigation to address such operator imbalance.

Given N_s sparse embeddings, a Dot-Product block produces $N_s^2/2$ pairwise interactions as a quadratic function on the number of sparse embeddings. As detailed in Section 3.1, the supernet requires a linear projection layer (i.e., FC) to match the output dimensions of operators within each choice block. Typically for Dot-Product, this leads to an extra $(N_s^2 \cdot dim_d/2)$ trainable weights.

However, the weight consumption of such projection layer is large given a large number of sparse embeddings. For example, given $N_s = 448$ and $dim_d = 512$ in a 7-block NASRec supernet, the projection layer induces over 50M parameters in the NASRec supernet, which has a similar scale of parameter consumption with sparse embedding layers. Such tremendous weight parameterization is a quadratic function of the number of sparse inputs N_s , yet other building operators have much fewer weights, such as, the number of trainable weights in EFC is a linear function of the number of sparse inputs N_s . As a result, the over-parameterization in Dot-Product leads to an increased convergence rate for the Dot-Product operator and consequently favor parameter-consuming subnets with a high concentration of Dot-Product operations as we observed. In addition, the ignorance of other heterogeneous operators other than Dot-Product provides a poor ranking of subnets, leading to sub-optimal performance on recommender systems.

Table 2: Operator-Balancing Interactions reduce supernet training cost and improve ranking of subnets.

Interaction Type	Training Cost	Pearson’s ρ	Kendall’s τ
Imbalanced DP	4 Hours	0.31	0.32
Balanced DP	1.5 Hours	0.46	0.43

We insert a simple EFC as a projection layer before the Dot-Product to mitigate such over-parameterization, see Figure 4. Our intuition is projecting the number of sparse embeddings in Dot-Product to $[\sqrt{2dim_d}]$, such that the following Dot-Product operator produces approximately dim_d outputs that later requires a minimal projection layer to match the dimension. As such, the Dot-Product operator consumes at most $(dim_d^2 + N_s[\sqrt{2dim_d}])$ trainable weights and ensures a linear growth of parameter consumption with the number of sparse EFC N_s . Thus, we balance interaction operator to allow a more similar convergence rate of all building operators. Table 2 reflects a significant enhancement on the training efficiency and ranking quality of the *NASRec-Full* supernet with Single-operator Any-connection path sampling strategy.

4.3 Post-training Fine-tuning

Although dropout-like subnet training provide a great way to reduce the adaptation of weights for a specific subnet, the subnet performance prediction by supernet can fail when weights should not share across some subnets. After the supernet training and during a stand alone subnet evaluation, we carry a post-training fine-tuning that re-adapt its weights back to the specific subnet. This can re-calibrate the weights which are corrupted when training other subnets during the supernet training. In practice, we find that fine-tuning the last FC on the target dataset for a few training steps (e.g., 0.5K) is good enough. With only marginal additional search cost, this novel post-training fine-tuning technique boosts the ranking of subnets by addressing the underlying weight adaptation issue, and thus provides a better chance to discover better models for recommender systems.

Table 3 demonstrates the improvement of post-training fine-tuning on different path sampling strategies. Surprisingly, post-training fine-tuning achieves decent ranking quality improvement under Single-operator Single-connection and Any-operator Any-connection path sampling strategy. This is because subnets under these strategies do not usually converge well in supernet: they either suffer from poor supernet coverage, or poor convergence induced by co-adaptation. The fine-tuning process releases their potential and approaches their real performance on the target dataset. Remarkably, Single-operator Any-connection path sampling strategy cooperates well with post-training fine-tuning, and achieves the global optimal Pearson’s ρ and Kendall’s τ ranking correlation among different approaches, with at least 0.14 Pearson’s ρ

Table 3: Effects of post-training fine-tuning on different path sampling strategies on *NASRec-Full*. We demonstrate Pearson’s ρ and Kendall’s τ over 100 random subnets on Criteo.

Path Sampling Strategy	No Fine-tuning		Fine-tuning	
	Pearson’s ρ	Kendall’s τ	Pearson’s ρ	Kendall’s τ
Any-operator Any-connection	0.37	0.28	0.46	0.43
Single-operator Single-connection	0.05	0.02	0.43	0.29
Single-operator Any-connection	0.46	0.43	0.57	0.43

and Kendall’s τ improvement on *NASRec-Full* search space over Single-operator Single-connection sampling with fine-tuning.

4.4 Evolutionary Search on Best Models

We utilize regularized evolution [24] to obtain the best child subnet in NASRec search space, including *NASRec-Small* and *NASRec-Full*. Here, we first introduce a single mutation of a hierarchical genotype with the following sequence of actions in one of the choice blocks:

- Re-sample the dimension of one dense building operator.
- Re-sample the dimension of one sparse building operator.
- Re-sample one dense building operator.
- Re-sample one sparse building operator.
- Re-sample its connection to other choice blocks.
- Re-sample the choice of dense-to-sparse/sparse-to-dense merger that enables the communication between dense/sparse outputs.

5 EXPERIMENTS

We first show the detailed configuration that NASRec employs during architecture search, model selection and final evaluation. Then, we demonstrate empirical evaluations on three popular recommender system benchmarks for Click-Through Rates (CTR) prediction: Criteo¹, Avazu² and KDD Cup 2012³. All three datasets are pre-processed in the same fashion as AutoCTR [30].

5.1 Search Configuration

We first demonstrate the detailed configuration of *NASRec-Full* search space as follows:

- **Connection Search Components.** We utilize $N = 7$ blocks in our NASRec search space. This allows a fair comparison with recent NAS methods [30]. All choice blocks can arbitrarily connect to previous choice blocks or raw features.
- **Operator Search Components.** In each choice block, our search space contains 6 distinct building operators, including 4 dense building operators: FC, Gating, Sum, Dot-Product and 2 distinct sparse building operators: EFC and Attention. The dense-sparse merger option is fully explored.
- **Dimension Search Components.** For each dense building operator, the dense output dimension can choose from {16, 32, 64, 128, 256, 512, 768, 1024}. For each sparse building operator, the sparse output dimension can be chosen from {16, 32, 48, 64}.

In *NASRec-Small*, we employ the same settings except that we use only 2 dense building operators: FC, Dot-Product and 1 sparse building operator: EFC. Then, we illustrate some techniques on brewing the NASRec supernet, including the configuration of embedding, supernet warm-up, and supernet training settings.

- **Capped Embedding Table.** We cap the maximum embedding table size to 0.5M during supernet training for search efficiency. During the final evaluation, we maintain the full embedding table to retrieve the best performance, i.e., a total of 540M parameters in DLRM [23] on Criteo to ensure a fair comparison.
- **Supernet Warm-up.** We observe that the supernet may collapse at initial training phases due to the varying sampled paths and

uninitialized embedding layers. To mitigate the initial collapsing of supernet, we randomly sample the full supernet at the initial 1/5 of the training steps, with a probability p that linearly decays from 1 to 0. This provides dimension warm-up, operator warm-up [3] and connection warm-up for the supernet with minimal impact on the quality of sampled paths.

- **Supernet Training Settings.** We insert layer normalization [1] into each building operator to stabilize supernet training. Our choice of hyperparameters is robust over different NASRec search spaces and recommender system benchmarks. We train the supernet for only 1 epoch with Adagrad optimizer, an initial learning rate of 0.12, a cosine learning rate schedule [22] on target recommender system benchmarks.

Finally, we present the details of regularized evolution and model selection strategies over NASRec search spaces.

- **Regularized Evolution.** Despite the large size of *NASRec-Full* and *NASRec-small*, we employ an efficient configuration of regularized evolution to seek the optimal subnets from supernet. Specifically, we maintain a population of 128 architectures and run regularized evolution for 240 iterations. In each iteration, we first pick up the best architecture from 64 sampled architectures from the population as the parent architecture, and generate 8 child architectures to update the population.
- **Model Selection.** We follow the evaluation protocols in AutoCTR [30] and split each target dataset into 3 sets: training (80%), validation (10%) and testing (10%). During weight-sharing neural architecture search, we train the supernet on the training set and select the top-15 subnets on the validation set. We train the top-15 models from scratch, and select the best subnet as the final architecture, namely, NASRecNet.

5.2 Recommender System Benchmark Results

We train NASRecNet from scratch on three classic recommender system benchmarks, and compare the performance of models that are crafted by NASRec on three general recommender system benchmarks. In Table 4, we report the evaluation results of our end-to-end NASRecNets and a random search baseline which randomly samples and trains models in our NASRec search space.

State-of-the-art Performance. Even within an aggressively large *NASRec-Full* search space, NASRecNets achieve record-breaking performance over hand-crafted CTR models [14, 19, 23] with minimal human priors as shown in Table 4. Compared with AutoInt [31], the hand-crafted model that fabricates feature interactions with delicate engineering efforts, NASRecNet achieves ~ 0.003 Log Loss reduction on Criteo, ~ 0.007 Log Loss reduction on Avazu, and ~ 0.003 Log Loss reduction on KDD Cup 2012, with minimal human expertise and interventions.

Next, we compare NASRecNet to the more recent NAS-crafted models. Compared to AutoCTR [30], NASRecNet achieves the state-of-the-art (SOTA) Log Loss and AUC on all three recommender system benchmarks. With the same scale of search space as AutoCTR (i.e., *NASRec-Small* search space), NASRecNet yields 0.001 Log Loss reduction on Criteo, 0.005 Log Loss reduction on Avazu, and 0.003 Log Loss reduction on KDD Cup 2012. Compared to DNAS [18] and PROFIT [11] which only focuses on configuring part of the architectures, such as dense connectivity, NASRecNet

¹<https://www.kaggle.com/c/criteo-display-ad-challenge>

²<https://www.kaggle.com/c/avazu-ctr-prediction/data>

³<https://www.kaggle.com/c/kddcup2012-track2/data>

Table 4: Performance of NASRec on General CTR Predictions Tasks.

	Method	Criteo		Avazu		KDD Cup 2012		Search Cost (GPU days)
		Log Loss	AUC	Log Loss	AUC	Log Loss	AUC	
Hand-crafted Arts	DLRM [23]	0.4436	0.8085	0.3814	0.7766	0.1523	0.8004	-
	xDeepFM [19]	0.4418	0.8052	-	-	-	-	-
	AutoInt+ [31]	0.4427	0.8090	0.3813	0.7772	0.1523	0.8002	-
	DeepFM [14]	0.4432	0.8086	0.3816	0.7767	0.1529	0.7974	-
NAS-crafted Arts	DNAS [18]	0.4442	-	-	-	-	-	-
	PROFIT [11]	0.4427	0.8095	0.3735	0.7883	-	-	~0.5
	AutoCTR [30]	0.4413	0.8104	0.3800	0.7791	0.1520	0.8011	~0.75
	Random Search @ <i>NASRec-Small</i>	0.4411	0.8105	0.3748	0.7885	0.1500	0.8123	1.0
	Random Search @ <i>NASRec-Full</i>	0.4418	0.8098	0.3767	0.7853	0.1509	0.8071	1.0
	NASRecNet @ <i>NASRec-Small</i>	0.4399	0.8118	0.3747	0.7887	0.1495	0.8135	~0.25
NASRecNet @ <i>NASRec-Full</i>	0.4408	0.8107	0.3737	0.7903	0.1491	0.8154	~0.3	

achieves at least ~ 0.002 Log Loss reduction on Criteo, justifying the significance of full architecture search on recommender systems.

By extending NASRec to an extremely large *NASRec-Full* search space, NASRecNet further improves its result on Avazu and outperforms PROFIT by ~ 0.002 AUC improvement with on-par Log Loss, justifying the design of *NASRec-Full* with aggressively large cardinality and minimal human priors. On Criteo and KDD Cup 2012, NASRec maintains the edge in discovering state-of-the-art CTR models compared to existing NAS methods [11, 18, 30].

Efficient Search within a Versatile Search Space. Despite a larger NASRec search space that presents more challenges to fully explore, NASRec achieves at least $1.7\times$ searching efficiency compared to state-of-the-art efficient NAS methods [11, 30] with significant Log Loss improvement on all three benchmarks. This is greatly attributed to the efficiency of Weight-Sharing NAS applied on heterogeneous operators and multi-modality data.

We observe that a compact *NASRec-Small* search space produces strong random search baselines, while a larger *NASRec-Full* search space has a weaker baseline. This is because with limited search budget, it is more challenging to discover promising models within a large search space. Yet, the scalable WS-NAS tackles the exploration of full *NASRec-Full* search space thanks to the broad coverage of the supernet. With an effective Single-Operator Any-connection path sampling strategy, WS-NAS improves the quality of discovered models on Criteo, and discovers a better model on Avazu and KDD Cup 2012 compared to the *NASRec-Small* search space.

5.3 Discussion

In this section, we analyze the complexity of NASRecNet, and demonstrate the impact of our proposed techniques that mitigates ranking disorders and improve the quality of searched models.

Model Complexity Analysis. We compare the model complexity of NASRecNets with SOTA hand-crafted and NAS models. We collect all baselines from AutoCTR [30], and compare performance versus the number of Floating-point Operations (FLOPs) in Table 5.

We profile all FLOPs of NASRecNets using FvCore [26]. Even without any FLOPs constraints, NASRecNets outperform existing arts in efficiency. Despite achieving lower Log Loss, NASRecNets achieve $8.5\times$, $3.8\times$, and $2.8\times$ FLOPs reduction on Criteo, Avazu, and KDD Cup 2012 benchmarks. One possible reason lies in the use of operator-balancing interaction modules: it projects the sparse

Table 5: Model Complexity Analysis.

Method	Log Loss			FLOPs(M)		
	Criteo	Avazu	KDD	Criteo	Avazu	KDD
DLRM	0.4436	0.3814	0.1523	26.92	18.29	25.84
DeepFM	0.4432	0.3816	0.1529	22.74	22.50	21.66
AutoInt+	0.4427	0.3813	0.1523	18.33	17.49	14.88
AutoCTR	0.4413	0.3800	0.1520	12.31	7.12	3.02
NASRecNet @ <i>NASRec-Small</i>	0.4399	0.3747	0.1495	2.20	3.08	3.48
NASRecNet @ <i>NASRec-Full</i>	0.4408	0.3737	0.1491	1.45	1.87	1.09

Table 6: Effects of different training techniques on NASRecNet, evaluated on Criteo.

Method	Log Loss	FLOPs(M)
Baseline (Single-operator Any-connection + Fine-tuning)	0.4408	1.45
Single-operator Single-connection + Fine-tuning	0.4417	1.78
Any-operator Any-connection + Fine-tuning	0.4413	2.04
Single-operator Any-connection, NO Fine-tuning	0.4410	3.62

inputs to a smaller dimension before carrying cross-term feature interaction. This leads to significantly lower computation costs, contributing compact yet high-performing recommender models.

Effects of Path Sampling & Fine-tuning. We discussed the path sampling and fine-tuning techniques in Section 4.2, and demonstrate the empirical evaluation of these techniques on the quality of searched models in Table 6. The results show that, (1) the importance of path sampling far outweigh the importance of fine-tuning in deciding the quality of searched models, and (2) a higher Kendall’s τ that correctly ranks subnets in NASRec search space (i.e., Table 6) indicates a consistent improvement on searched models.

6 CONCLUSION

In this paper, we propose NASRec, a new paradigm to fully enable NAS for Recommender systems via Weight Sharing Neural Architecture Search (WS-NAS) under data modality and architecture heterogeneity. NASRec establishes a large supernet to represent the full architecture space, and incorporates versatile building operators and dense block connections to minimize human priors in automated architecture design for recommender systems. NASRec identifies the scale and heterogeneity challenges of large-scale NASRec search space that compromises supernet and proposes a series of techniques to improve training efficiency and mitigate ranking disorder. Our crafted models, NASRecNet, achieve state-of-the-art performance on 3 popular recommender system benchmarks, demonstrate promising prospects on full architecture search space, and direct motivating research towards fully automated architecture fabrication with minimal human priors.

ACKNOWLEDGMENTS

Yiran Chen’s work is partially supported by the following grants: NSF-2120333, NSF-2112562, NSF-1937435, NSF-2140247 and ARO W911NF-19-2-0107. Feng’s work is partially supported by the following grants: NSF CAREER-2048044 and IIS-1838024. We also thank Maxim Naumov, Jeff Hwang and Colin Taylor in Meta Platforms, Inc. for their kind help on this project.

REFERENCES

- [1] Jimmy Lei Ba, Jamie Ryan Kiros, and Geoffrey E Hinton. 2016. Layer normalization. *arXiv preprint arXiv:1607.06450* (2016).
- [2] Gabriel Bender, Pieter-Jan Kindermans, Barret Zoph, Vijay Vasudevan, and Quoc Le. 2018. Understanding and simplifying one-shot architecture search. In *International Conference on Machine Learning*. PMLR, 550–559.
- [3] Gabriel Bender, Hanxiao Liu, Bo Chen, Grace Chu, Shuyang Cheng, Pieter-Jan Kindermans, and Quoc V Le. 2020. Can weight sharing outperform random architecture search? an investigation with tunas. In *Proceedings of the IEEE/CVF Conference on Computer Vision and Pattern Recognition*. 14323–14332.
- [4] Han Cai, Chuang Gan, Tianzhe Wang, Zhekai Zhang, and Song Han. 2019. Once-for-all: Train one network and specialize it for efficient deployment. *arXiv preprint arXiv:1908.09791* (2019).
- [5] Ben Carterette and Rosie Jones. 2007. Evaluating search engines by modeling the relationship between relevance and clicks. *Advances in neural information processing systems* 20 (2007).
- [6] Qiwei Chen, Huan Zhao, Wei Li, Pipei Huang, and Wenwu Ou. 2019. Behavior sequence transformer for e-commerce recommendation in alibaba. In *Proceedings of the 1st International Workshop on Deep Learning Practice for High-Dimensional Sparse Data*. 1–4.
- [7] Heng-Tze Cheng, Levent Koc, Jeremiah Harmsen, Tal Shaked, Tushar Chandra, Hrishikesh Aradhye, Glen Anderson, Greg Corrado, Wei Chai, Mustafa Isipir, et al. 2016. Wide & deep learning for recommender systems. In *Proceedings of the 1st workshop on deep learning for recommender systems*. 7–10.
- [8] Paul Covington, Jay Adams, and Emre Sargin. 2016. Deep neural networks for youtube recommendations. In *Proceedings of the 10th ACM conference on recommender systems*. 191–198.
- [9] Wei Deng, Junwei Pan, Tian Zhou, Deguang Kong, Aaron Flores, and Guang Lin. 2021. DeepLight: Deep lightweight feature interactions for accelerating CTR predictions in ad serving. In *Proceedings of the 14th ACM international conference on Web search and data mining*. 922–930.
- [10] Alexey Dosovitskiy, Lucas Beyer, Alexander Kolesnikov, Dirk Weissenborn, Xi-aohua Zhai, Thomas Unterthiner, Mostafa Dehghani, Matthias Minderer, Georg Heigold, Sylvain Gelly, et al. 2020. An image is worth 16x16 words: Transformers for image recognition at scale. *arXiv preprint arXiv:2010.11929* (2020).
- [11] Chen Gao, Yinfeng Li, Quanming Yao, Depeng Jin, and Yong Li. 2021. Progressive Feature Interaction Search for Deep Sparse Network. *Advances in Neural Information Processing Systems* 34 (2021).
- [12] Luyu Gao, Zhuyun Dai, and Jamie Callan. 2020. Modularized transformer-based ranking framework. *arXiv preprint arXiv:2004.13313* (2020).
- [13] Guibing Guo, Jie Zhang, and Neil Yorke-Smith. 2015. Trustsvd: Collaborative filtering with both the explicit and implicit influence of user trust and of item ratings. In *Proceedings of the AAAI conference on artificial intelligence*, Vol. 29.
- [14] Hui Feng Guo, Ruiming Tang, Yunming Ye, Zhenguo Li, and Xiuqiang He. 2017. DeepFM: a factorization-machine based neural network for CTR prediction. *arXiv preprint arXiv:1703.04247* (2017).
- [15] Zichao Guo, Xiangyu Zhang, Haoyuan Mu, Wen Heng, Zechun Liu, Yichen Wei, and Jian Sun. 2020. Single path one-shot neural architecture search with uniform sampling. In *European Conference on Computer Vision*. Springer, 544–560.
- [16] Xinran He, Junfeng Pan, Ou Jin, Tianbing Xu, Bo Liu, Tao Xu, Yanxin Shi, Antoine Atallah, Ralf Herbrich, Stuart Bowers, et al. 2014. Practical lessons from predicting clicks on ads at facebook. In *Proceedings of the eighth international workshop on data mining for online advertising*. 1–9.
- [17] Dominik Kowald, Subhash Chandra Pujari, and Elisabeth Lex. 2017. Temporal effects on hashtag reuse in twitter: A cognitive-inspired hashtag recommendation approach. In *Proceedings of the 26th International Conference on World Wide Web*. 1401–1410.
- [18] Ravi Krishna, Aravind Kalaiah, Bichen Wu, Maxim Naumov, Dheevatsa Mudigere, Misha Smelyanskiy, and Kurt Keutzer. 2021. Differentiable NAS Framework and Application to Ads CTR Prediction. *arXiv preprint arXiv:2110.14812* (2021).
- [19] Jianxun Lian, Xiaohuan Zhou, Fuzheng Zhang, Zhongxia Chen, Xing Xie, and Guangzhong Sun. 2018. xdeepfm: Combining explicit and implicit feature interactions for recommender systems. In *Proceedings of the 24th ACM SIGKDD international conference on knowledge discovery & data mining*. 1754–1763.
- [20] Hanwen Liang, Shifeng Zhang, Jiacheng Sun, Xingqiu He, Weiran Huang, Kechen Zhuang, and Zhenguo Li. 2019. Darts+: Improved differentiable architecture search with early stopping. *arXiv preprint arXiv:1909.06035* (2019).
- [21] Hanxiao Liu, Karen Simonyan, and Yiming Yang. 2018. Darts: Differentiable architecture search. *arXiv preprint arXiv:1806.09055* (2018).
- [22] Ilya Loshchilov and Frank Hutter. 2016. Sgdr: Stochastic gradient descent with warm restarts. *arXiv preprint arXiv:1608.03983* (2016).
- [23] Maxim Naumov, Dheevatsa Mudigere, Hao-Jun Michael Shi, Jianyu Huang, Narayanan Sundaraman, Jongsoo Park, Xiaodong Wang, Udit Gupta, Carole-Jean Wu, Alisson G Azzolini, et al. 2019. Deep learning recommendation model for personalization and recommendation systems. *arXiv preprint arXiv:1906.00091* (2019).
- [24] Esteban Real, Alok Aggarwal, Yanping Huang, and Quoc V Le. 2019. Regularized evolution for image classifier architecture search. In *Proceedings of the aaai conference on artificial intelligence*, Vol. 33. 4780–4789.
- [25] Steffen Rendle, Zeno Gantner, Christoph Freudenthaler, and Lars Schmidt-Thieme. 2011. Fast context-aware recommendations with factorization machines. In *Proceedings of the 34th international ACM SIGIR conference on Research and development in Information Retrieval*. 635–644.
- [26] Facebook Research. 2022. fvcare. <https://github.com/facebookresearch/fvcare>.
- [27] Matthew Richardson, Ewa Dominowska, and Robert Ragno. 2007. Predicting clicks: estimating the click-through rate for new ads. In *Proceedings of the 16th international conference on World Wide Web*. 521–530.
- [28] Ying Shan, T Ryan Hoens, Jian Jiao, Haijing Wang, Dong Yu, and JC Mao. 2016. Deep crossing: Web-scale modeling without manually crafted combinatorial features. In *Proceedings of the 22nd ACM SIGKDD international conference on knowledge discovery and data mining*. 255–262.
- [29] David So, Quoc Le, and Chen Liang. 2019. The evolved transformer. In *International Conference on Machine Learning*. PMLR, 5877–5886.
- [30] Qingquan Song, Dehua Cheng, Hanning Zhou, Jiyan Yang, Yuandong Tian, and Xia Hu. 2020. Towards automated neural interaction discovery for click-through rate prediction. In *Proceedings of the 26th ACM SIGKDD International Conference on Knowledge Discovery & Data Mining*. 945–955.
- [31] Weiping Song, Chence Shi, Zhiping Xiao, Zhijian Duan, Yewen Xu, Ming Zhang, and Jian Tang. 2019. AutoInt: Automatic feature interaction learning via self-attentive neural networks. In *Proceedings of the 28th ACM International Conference on Information and Knowledge Management*. 1161–1170.
- [32] Ashish Vaswani, Noam Shazeer, Niki Parmar, Jakob Uszkoreit, Llion Jones, Aidan N Gomez, Łukasz Kaiser, and Illia Polosukhin. 2017. Attention is all you need. *Advances in neural information processing systems* 30 (2017).
- [33] Hanrui Wang, Zhanghao Wu, Zhijian Liu, Han Cai, Ligeng Zhu, Chuang Gan, and Song Han. 2020. Hat: Hardware-aware transformers for efficient natural language processing. *arXiv preprint arXiv:2005.14187* (2020).
- [34] Ruoxi Wang, Bin Fu, Gang Fu, and Mingliang Wang. 2017. Deep & cross network for ad click predictions. In *Proceedings of the ADKDD'17*. 1–7.
- [35] Ruoxi Wang, Rakesh Shivanna, Derek Cheng, Sagar Jain, Dong Lin, Lichan Hong, and Ed Chi. 2021. DCN V2: Improved deep & cross network and practical lessons for web-scale learning to rank systems. In *Proceedings of the Web Conference 2021*. 1785–1797.
- [36] Zhiqiang Wang, Qingyun She, and Junlin Zhang. 2021. MaskNet: introducing feature-wise multiplication to CTR ranking models by instance-guided mask. *arXiv preprint arXiv:2102.07619* (2021).
- [37] Wei Wen, Hanxiao Liu, Yiran Chen, Hai Li, Gabriel Bender, and Pieter-Jan Kindermans. 2020. Neural predictor for neural architecture search. In *European Conference on Computer Vision*. Springer, 660–676.
- [38] Jiahui Yu, Pengchong Jin, Hanxiao Liu, Gabriel Bender, Pieter-Jan Kindermans, Mingxing Tan, Thomas Huang, Xiaodan Song, Ruoming Pang, and Quoc Le. 2020. BigNAS: Scaling up neural architecture search with big single-stage models. In *European Conference on Computer Vision*. Springer, 702–717.
- [39] Barret Zoph, Vijay Vasudevan, Jonathon Shlens, and Quoc V Le. 2018. Learning transferable architectures for scalable image recognition. In *Proceedings of the IEEE conference on computer vision and pattern recognition*. 8697–8710.