

Few Shot Hematopoietic Cell Classification

Vu Nguyen^{*1}

VHNGUYEN@CS.STONYBROOK.EDU

Prantik Howlader^{*1}

PHOWLADER@CS.STONYBROOK.EDU

Le Hou¹

LEHOU@CS.STONYBROOK.EDU

Dimitris Samaras¹

SAMARAS@CS.STONYBROOK.EDU

Rajarsi Gupta²

RAJARSI.GUPTA@STONYBROOKMEDICINE.EDU

Joel Saltz²

JOEL.SALTZ@STONYBROOKMEDICINE.EDU

¹ Stony Brook University, Department of Computer Science, USA

² Stony Brook University, Department of Biomedical Informatics, USA

Editors: Accepted for publication at MIDL 2023

Abstract

We propose a *few shot learning* approach for the problem of *hematopoietic cell classification* in digital pathology. In hematopoiesis cell classification, the classes correspond to the different stages of the cellular maturation process. Two consecutive stage categories are considered to have a neighborhood relationship, which implies a visual similarity between the two categories. We propose RelationVAE which incorporates these relationships between hematopoietic cell classes to robustly generate more data for the classes with limited training data. Specifically, we first model these relationships using a graphical model, and propose RelationVAE, a deep generative model which implements the graphical model. RelationVAE is trained to optimize the lower bound of the pairwise data likelihood of the graphical model. In this way, it can identify class level features of a specific class from a small number of input images together with the knowledge transferred from visually similar classes, leading to more robust sample synthesis. The experiments on our collected hematopoietic dataset show the improved results of our proposed RelationVAE over a baseline VAE model and other few shot learning methods. Our code and data are available at <https://github.com/cvlab-stonybrook/hematopoiesis-relationvae>.

Keywords: Hematopoiesis cell classification, Few Shot Learning, Variational AutoEncoder

1. Introduction

We propose a novel few-shot method for classification of hematopoietic cells. In hematopoiesis, cell classes represent different stages of the cell evolution process. For some stages, it is difficult to collect a large training dataset to train a recognition model. The proposed few shot method incorporates relationships between hematopoiesis cell categories to robustly generate more training samples for training a hematopoietic cell classification model.

Hematopoiesis is the development of specialized blood cells from stem cells in the bone marrow. In this process, maturing normal blood cells trade self-renewal properties for specialized functions. Hematopathologists carefully examine lineage-specific morphologic features of blood cells that evolve through sequential stages of maturation to evaluate hematopoiesis. During laboratory workup, the goal is to identify morphologic changes

* Contributed equally

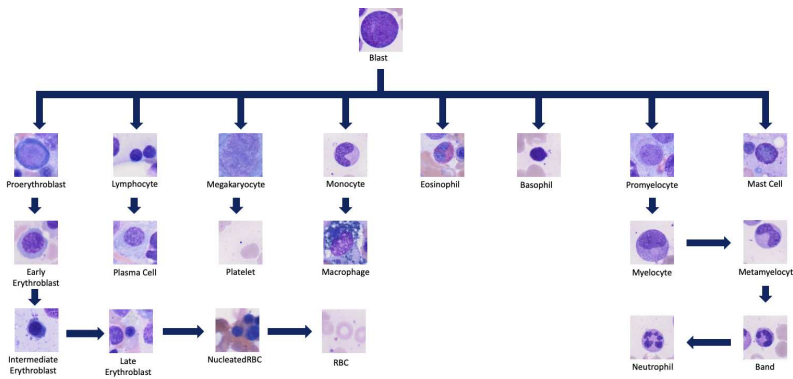


Figure 1: A conceptual example of the Hematopoiesis maturation process.

and/or abnormal cells associated with diseases such as anemia, myelodysplastic syndrome, and leukemia which is a very challenging task (Lee JY, 2020; Ye F, 2017; de Haan and Lazare, 2018), leading to the necessity of a machine learning method for hematopoietic cell classification. However, due to the rarity of some hematopoiesis categories, collecting a large training set is challenging and sometimes impossible.

We posit that the relationships between hematopoiesis categories could be used to mitigate the problem of limited training data. Specifically, each stage in the hematopoiesis process corresponds to a cell category. Two consecutive stages categories are considered to have a neighborhood relation, which implies a visual similarity between the two categories. Figure 1 shows an example of the evolution process starting with a multipotential hematopoietic stem cell. As a result, neighbor categories tend to be visually similar, for example Myelocyte and Metamyelocyte, Late Erythroblast and Nucleated RBC. It is therefore more robust to train a recognition model for rare classes if we refer to the appearance of their neighbors.

In this paper, we introduce a generative model that synthesizes training data for the hematopoiesis classes which have limited training data, utilizing prior class relationship knowledge. Specifically, our generative model is able to extract useful representations for novel classes (testing classes with limited training data) from a few input samples together with the knowledge transferred from their neighboring base classes (training classes with many training data), and generate training samples for the novel classes. Finally, generated samples are used to train classifiers for the novel classes.

To leverage this similarity information, we build a graphical model which represents the data generation process together with the visual similarity relationships. In this graphical model, we establish connections between neighboring classes (classes annotated to be visually similar) thus enabling knowledge transfer from a class to its neighbors. We derive the Pairwise Evidence Lower Bound (P-ELBO), the lower bound of the pairwise data likelihood on the graphical model. Based on this, we propose RelationVAE, a deep generative model which implements the graphical model. RelationVAE is trained to maximize the P-ELBO of the training data. As a result, the RelationVAE can generate data from a few training samples of a class utilizing the knowledge transferred from its neighbors. This data generation process is more robust compared to using only training samples without additional information from neighbor classes.

We evaluate the proposed method on a Hematopoiesis dataset that consists of 21 cell categories and relationships between them. Compared to baseline state-of-the-art methods, RelationVAE consistently achieves the best prediction performance on 1-shot setting and outperforms most baseline methods on 5-shot setting.

Our main contributions can be summarized as follows:

- We introduce a new Few-Shot learning paradigm which considers class relationships available in Hematopoiesis Cell Classification.
- We propose a graphical model for synthetic training data generation, which incorporates predefined similarity relationships between classes.
- We derive a Pairwise Evidence Lower Bound (P-ELBO) of the pairwise data likelihood on the graphical model and propose a deep generative model, RelationVAE, to optimize this lower bound. RelationVAE allows synthesizing samples from the novel class’ few training samples, utilizing the knowledge transferred from its neighbor class.
- We evaluate the proposed method on a Hematopoiesis dataset that consists of 21 cell categories and relationships between them. RelationVAE consistently achieves better prediction performance compared to other state-of-the-art methods used as baselines.

2. Related Work

Few-shot learning can be formulated as a metric learning problem: learning a good feature embedding which maximizes the inter-class distances and minimizes the intra-class distances between samples (Xu et al., 2021; Vinyals et al., 2016; Tokmakov et al., 2019; Wertheimer et al., 2021; Rizve et al., 2021; Afrasiyabi et al., 2022; Xie et al., 2022). Another FSL approach is meta-Learning which aims to simulate the testing few-shot environment during the training phase to make the models familiar with this setting. One popular technique is to create different synthetic few shot classification tasks from the large training data to train the model, so that the model will be able to learn efficiently from a few training samples during testing time (Finn et al., 2017; Andrychowicz et al., 2016; Santoro et al., 2016; Ravi and Larochelle, 2017; Kim et al., 2019; Tang et al., 2021; Zhang et al., 2021). The third FSL approach is Data-Synthesis-based methods which directly address the problem of data scarcity by hallucinating training data of rare classes (Luo et al., 2019; Hariharan and Girshick, 2017; Wang et al., 2018; Zhang et al., 2018; Liu et al., 2019; Gao et al., 2018; Li et al., 2020; Ding et al., 2022; Hong et al., 2022b). LoFGAN (Gu et al., 2021) fuses multiple novel training images to generate additional images. DeltaGAN (Hong et al., 2022a), on the other hand, does not require multiple novel images during testing but proposes to learn intra-category transformation between images in the same category. During testing, these transformations are predicted from one or a few novel training images and are then used to generate more realistic images of the same class.

A few FSL methods incorporate **side information** to alleviate the problem of training data shortage. Yao et al. (Yao et al., 2020) enforce similarity relationship information between individual samples. Peng et al. (Peng et al., 2019) proposes a network that directly generates classifier weights for novel classes given a class similarity matrix together with class label embedding. In (Li et al., 2019) and (Liu et al., 2020), class hierarchies are employed to transferred knowledge from base classes to novel classes in the same group.

Shi et al. (Shi et al., 2020) utilize Graph Convolutional Neural Networks to incorporate the provided similarity affinity matrix. However, the type of relationship between hematopoiesis classes that we are considering in this paper are not integratable in these methods.

FSL is also attracting attention in the histopathology domain. (Walsh et al., 2022) conducts comprehensive experiments on applying and analyzing existing few shot Learning methods on human cell datasets. (Li et al., 2020) extends ProtoNet into 3D for Few Shot classification of macromolecular structures in Cryo-electron tomography. Many other histopathology FSL methods (Shakeri et al., 2022; Medela et al., 2019; Deuschel et al., 2021) focus on few shot domain transfer in which some of the domains (tissue type) have limited training data. Specifically, (Medela et al., 2019) and (Deuschel et al., 2021) learn a feature extractor from base classes on one tissue type, and train a simple classifier for novel classes on another tissue type. In summary, these histopathology FSL methods are based on simple metric learning techniques (similar to MatchingNet and RelationNet) which are shown to be inferior to our method in Sec. 4.

3. Proposed Method

3.1. Few Shot Learning with Visual Similarity Information

The conventional few-shot learning setting contains two sets of data: (i) base data $D_{base} = \{(x, y)\} \subset X \times Y_{base}$ and (ii) novel data $D_{novel} = \{(x, y)\} \subset X \times Y_{novel}$ in which X is the set of samples and two set of classes Y_{base} and Y_{novel} are disjoint. D_{base} typically contains a large number of samples per base class while each novel class in D_{novel} has only a few samples. D_{base} can be used for pretraining a classification model before novel class samples are exposed to the model so that it can learn to distinguish between novel classes Y_{novel} with only a few training samples.

In this paper, we consider the FSL setting where there exists prior knowledge about predefined visual similarities between classes. Specifically, any two classes y_i and y_j that are considered to be visually similar to each other are considered neighbors of each other. The set of such predefined pairs is denoted as the neighborhood set $P = \{(y_i, y_j)\}^n$. Note that a class pair outside of P does not necessarily indicate that its two classes are dissimilar.

In the hematopoiesis cell classification problem, any two consecutive stage classes are considered to neighbors.

3.2. Pairwise Evidence Lower Bound

In this section we represent data using a graphical model that incorporates the similarity relationships between classes. Based on that, we derive the Pairwise Evidence Lower Bound (L-ELBO), a lower bound of the data pairwise likelihood on the graphical model.

We assume that each sample x_{i_k} of class y_i is generated from three factors: the generation parameter θ , the class discriminative feature c_{i_k} and the style z_{i_k} . The generation parameter θ is fixed and shared across all the observations of all classes. The class discriminative feature c is constrained to be consistent among instances of the same class while instance-specific features are expressed via the style z . A sample x_{i_k} is drawn from the distribution $p_\theta(x_{i_k} | c_{i_k}, z_{i_k})$. Let $X_i = \{x_{i_k}\}$ be the set of observations belonging to class y_i , and Z_i be the corresponding set of styles. Since X_i belongs to a single class y_i , all the observations of

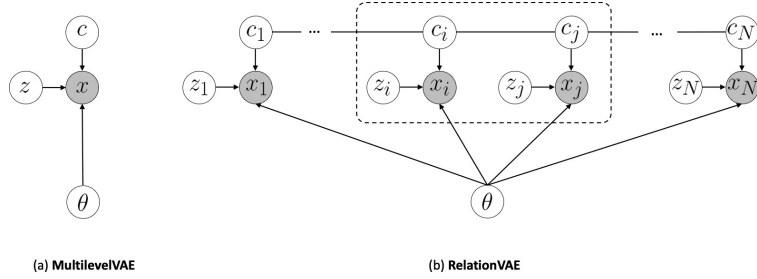


Figure 2: (a) The graphical model of MultilevelVAE and (b) An example of graphical model of RelationVAE.

the same class should share a single class discriminative feature c_i . This synthesis process is described in MultilevelVAE (Bouchacourt et al., 2017), with the graphical model illustrated at Figure 2a. MultilevelVAE is considered the baseline of our proposed method without incorporating class relationships.

We propose a graphical model which enforces connections between class discriminative feature variables c_i to indicate the similarity relationships between classes as illustrated at Figure 2b. In this graphical model, class discriminative features of neighbor classes are connected to each other, meaning the likelihood of one class is dependent on its neighbor class. We solve for the generation parameters θ by maximizing the likelihood of the data $p_\theta(X) = p_\theta(X_1, X_2, X_3, \dots)$ with respect to θ . It is, however, complicated to derive the data likelihood due to the large number of possible neighborhood sets P . We instead maximize the pairwise likelihood $\mathbb{E}_{(y_i, y_j) \in P} p_\theta(X_i, X_j)$.

To this end, we first approximate the true posteriors $p_\theta(c_i|X_i, c_j)$, $p_\theta(c_j|X_i, X_j)$, $p_\theta(Z_i|X_i)$ by the Gaussian variational posteriors $q_{\phi_1}(c_i|X_i, c_j)$, $q_{\phi_2}(c_j|X_i, X_j)$, and $q_\gamma(Z_i|X_i)$. We also assume that the styles and the class discriminative features follow Gaussian distributions with mean 0 and unit covariance matrix.

To model the dependence of class y_i on its neighbor class y_j , we define a transition probability from y_j to y_i as a Gaussian distribution with mean c_j and learnable variance ω : $P_\omega(c_i|c_j) = \mathcal{N}(c_i|\mu = c_j, \Sigma = \omega)$. We derive the log pairwise likelihood of the data from two neighbor classes y_i and y_j as follows: ¹

$$\log p_\theta(X_i, X_j) \geq \tag{1a}$$

$$\mathbb{E}_{q_\gamma(Z_i|X_i)} \mathbb{E}_{q_{\phi_2}(c_j|X_i, X_j)} \mathbb{E}_{q_{\phi_1}(c_i|X_i, c_j)} \log p_\theta(X_i|c_i, Z_i) \tag{1b}$$

$$+ \mathbb{E}_{q_\gamma(Z_j|X_j)} \mathbb{E}_{q_{\phi_2}(c_j|X_i, X_j)} \log p_\theta(X_j|c_j, Z_j) \tag{1c}$$

$$- \mathbb{E}_{q_{\phi_2}(c_j|X_i, X_j)} D_{KL}[q_{\phi_1}(c_i|X_i, c_j)||P_\omega(c_i|c_j)] \tag{1d}$$

$$- D_{KL}[q_{\phi_2}(c_j|X_i, X_j)||P(c_j)] \tag{1e}$$

$$- D_{KL}[q_\gamma(Z_i|X_i)||p(Z_i)] \tag{1f}$$

$$- D_{KL}[q_\gamma(Z_j|X_j)||p(Z_j)] \tag{1g}$$

1. Please see supplementary material for the proof

The RHS of eq. (1) is the pairwise evidence lower bound (P-ELBO) of $\log P(X_i, X_j)$ which we are going to maximize over the parameters θ , ϕ_1 , ϕ_2 , γ , and ω .

3.3. RelationVAE

In order to represent P-ELBO using a neural network, we first need to factorize $p_\theta(X_i|c_i, Z_i)$, $q_{\phi_1}(c_i|X_i, c_j)$, $q_{\phi_2}(c_j|X_i, X_j)$, and $q_\gamma(Z_i|X_i)$ into instance level quantities.

Similar to (Bouchacourt et al., 2017), we approximate any conditional Gaussian distribution $p(c|X)$, where c is a single variable and X is a set of observations, by a corresponding Group Evidence Accumulation function $GEA_{x_k \in X}[p(c_k|x_k)]$. GEA is a Gaussian distribution with mean μ and covariance matrix Σ defined as follows

$$\Sigma^{-1} = \sum_k \Sigma_k^{-1}, \mu^T \Sigma^{-1} = \sum_k \mu_k^T \Sigma_k^{-1} \quad (2)$$

where μ_k and Σ_k are the mean and covariance matrix of each individual $p(c_k|x_k)$. Accordingly, $q_{\phi_1}(c_i|X_i, c_j)$ and $q_{\phi_2}(c_j|X_i, X_j)$ are approximated by $GEA_{x_{i_k} \in X_i}[q_{\phi_1}(c_{i_k}|x_{i_k}, c_j)]$ and $GEA_{x_{i_k} \in X_i, x_{j_l} \in X_j}[q_{\phi_2}(c_{j_k}|x_{i_k}, x_{j_l})]$ respectively.

Since samples in the same class are generated independently from each other, $p_\theta(X_i|c_i, Z_i)$ and $q_\gamma(Z_i|X_i)$ can be factorized into $\prod_{x_{ik} \in X_i} p_\theta(x_{ik}|c_i, z_{ik})$ and $\prod_{x_{ik} \in X_i} q_\gamma(z_{ik}|x_{ik})$.

To optimize the P-ELBO of the data, we propose RelationVAE (Fig. 3) with 3 encoders γ , ϕ_1 , ϕ_2 and 1 decoder θ , representing the functions with the same names discussed above. Specifically, γ is used to encode a single sample into the intra-class variant. ϕ_1 predicts the class information of a class from a sample of that class and the neighbor class information. The additional information from the neighbor class makes the prediction more robustly. ϕ_2 predicts the class information of a class from its sample together with a sample of the neighbor class. θ is the decoder which generates samples of a class given its extracted class information and intra-class variants.

Since γ , ϕ_1 and ϕ_2 represent Gaussian distributions, their outputs are the means and covariance matrices diagonals of the distributions. From P-ELBO we get the loss functions:²

- From (1b) and (1c)

$$L_{recons} = \|x_i - x'_i\|^2 + \|x_j - x'_j\|^2 \quad (3)$$

- From (1d)

$$L_{content_1} = \frac{1}{2} \sum_k \left[\exp(\log \Sigma_{c_i}^{(k)} - \log \omega^{(k)}) + \frac{(c_j^{(k)} - \mu_{c_i}^{(k)})^2}{\omega^{(k)}} + (\log \omega^{(k)} - \log \Sigma_{c_i}^{(k)}) \right] \quad (4)$$

- From (1e)

$$L_{content_2} = \frac{1}{2} \sum_k [\Sigma_{c_j}^{(k)2} + \mu_{c_j}^{(k)2} - 2 \log(\Sigma_{c_j}^{(k)}) - 1] \quad (5)$$

2. Please see the supplementary material for the derivations

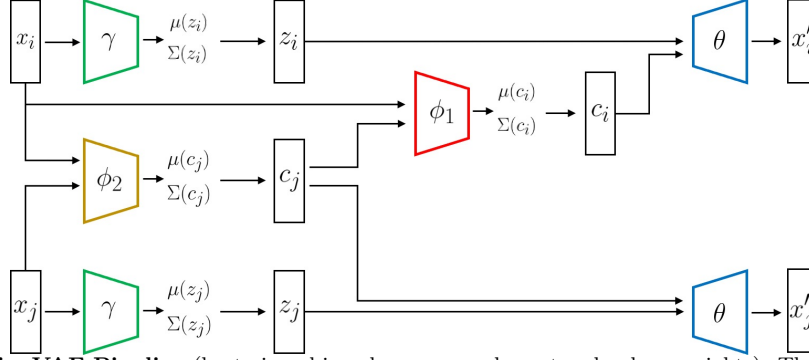


Figure 3: **RelationVAE Pipeline** (best viewed in color - same color networks share weights). The 3 encoders γ , ϕ_1 , ϕ_2 encode observation x_j and observation x_i from its neighbor class y_i into intra-class variant z_i , z_j and the class information c_i , c_j . The decoder θ generates samples from the provided class information and intra-class variant.

- From (1f) and (1g)

$$L_{style} = \frac{1}{2} \sum_{e \in \{i,j\}} \sum_k [\Sigma_{z_e}^{(k)2} + \mu_{z_e}^{(k)2} - 2 \log(\Sigma_{z_e}^{(k)}) - 1] \quad (6)$$

where k is the shared index of dimensions on either the means μ and the variance Σ .

The P-ELBO loss function to train RelationVAE is the sum of the component losses:

$$L_{pELBO} = L_{recons} + L_{content_1} + L_{content_2} + L_{style} \quad (7)$$

To train RelationVAE, for each training iteration, we first sample a class y_i and its visually similar neighbor y_j . Two corresponding batches X_i and X_j , are sampled accordingly to train the network. When y_i has no neighbor, we sample both batches X_{i_1} and X_{i_2} from y_i . The specific training algorithm is presented in Algorithm 1.

for *epoch* **do**

 sample a class y_i and its neighbor y_j

 sample two batches X_i and X_j of size K

for $k = 1..K$ **do**

 calculate $q_{\phi_2}(c_{j_k} | x_{i_k} x_{j_k})$ and $q_{\gamma}(z_{j_k} | x_{j_k})$

 sample $z_{j_k} \sim q_{\gamma}(z_{j_k} | x_{j_k})$

 calculate $q_{\phi_2}(c_j | X_i X_j)$ from $\{q_{\phi_2}(c_{j_k} | x_{i_k} x_{j_k})\}_{k=1}^K$ using *GEA*

 sample $c_j \sim q_{\phi_2}(c_j | X_i X_j)$

for $k = 1..K$ **do**

 calculate $q_{\phi_1}(c_{i_k} | x_{i_k} c_j)$ and $q_{\gamma}(z_{i_k} | x_{i_k})$

 sample $z_{i_k} \sim q_{\gamma}(z_{i_k} | x_{i_k})$

 calculate $q_{\phi_1}(c_i | X_i c_j)$ from $\{q_{\phi_1}(c_{i_k} | x_{i_k} c_j)\}_{k=1}^K$ using *GEA*

 sample $c_i \sim q_{\phi_1}(c_i | X_i c_j)$

for $k = 1..K$ **do**

 calculate $p_{\theta}(x'_{i_k} | z_{i_k} c_i)$ and $p_{\theta}(x'_{j_k} | z_{j_k} c_j)$

 Update ϕ_1 , ϕ_2 , γ , ω , and θ w.r.t. the loss function L_{pELBO} .

Algorithm 1: Training RelationVAE

During testing, for a novel class y_i with a neighbor class y_j , we predict its class discriminative feature c_i by using $q_{\phi_1}(c_i|X_i, c_j)$. c_i is then paired with randomly sampled z_i to pass to θ from generate more data. Once the augmented data is generated, any classification method can be applied on these data.

4. Experiments

4.1. Hemapotoiesis dataset

We collected a dataset of 7433 cell images from 21 categories, representing blood cell development in various stages of maturation within the bone marrow. Each class corresponds to a cell type and its development phase. The data was collected from 19 whole slide images that were scanned under oil immersion at 100X magnification. A hematopathologist selected 2000×2000 pixel regions that contain mixtures of different cell types in various stages of development, where each cell was annotated as belonging to one of 21 commonly utilized hematopathology categories. We extracted 300×300 pixel patches around the labeled cells.

We split the dataset into two subsets: 12 base set classes and another 9 novel classes. The data is summarized in table 2.

4.2. Experimental Results

We conduct 1-shot and 5-shot experiments for 9-way classification (9 novel classes). For each experiment, we run 600 trials. In each trial we randomly sample a set of n novel classes together with the corresponding k training samples per class for n -way k -shot classification. We report top-1 accuracy scores (600 trial average) together with 95% confidence intervals.

We train RelationVAE on 1D visual features instead of images. The final classifier is also trained on the visual features generated by RelationVAE. Specifically, we use Baseline++ (Chen et al., 2019) with ResNet-18 backbone to extract features of input images to use with RelationVAE. For fair comparison, we also use the ResNet-18 backbone for all other compared methods.

We compare RelationVAE with the baseline MultilevelVAE (Bouchacourt et al., 2017) which does not incorporate relationships between classes. We also compare with SoTA FSL methods: MAML (Finn et al., 2017), RelationNet (Sung et al., 2018), Baseline++ (Chen et al., 2019), RFS (Tian et al., 2020), DSFN (Zhang and Huang, 2022), Distribution Calibration (Yang et al., 2021), DeltaGAN (Hong et al., 2022a).

The results on 1-shot and 5-shot learning are shown in table 1. As can be seen, the performance of our proposed RelationVAE is always better than that of Multilevel-VAE,. This proves our assumption that predicting class information from both observations and the neighbor class information is more robust than from observations only. Comparing to other FSL baselines, RelationVAE consistently achieves SoTA accuracy on 1-shot setting while its performance on 5-shot setting is better than most other methods. This again confirms that it is beneficial to use similarity relationships for knowledge transfer when training data is scarce.

Table 1: Few Shot Learning results with top-1 accuracy and the 95% confidence interval on Hematopoiesis dataset. The first and second blocks are discriminative methods and generative methods respectively.

Method	1-shot	5-shot
MatchingNet (Vinyals et al., 2016)	49.65 \pm 0.4	68.90 \pm 0.3
MAML (Finn et al., 2017)	55.12 \pm 0.42	70.26 \pm 0.51
RelationNet (Sung et al., 2018)	51.79 \pm 0.2	68.89 \pm 0.31
Baseline++ (Chen et al., 2019)	56.24 \pm 0.51	68.27 \pm 0.31
RFS (Tian et al., 2020)	55.89 \pm 0.61	76.91 \pm 0.21
DSFN (Zhang and Huang, 2022)	61.33 \pm 0.47	81.91 \pm 0.27
MultilevelVAE (Bouchacourt et al., 2017)	60.00 \pm 0.5	74.70 \pm 0.78
Distribution Calibration (Yang et al., 2021)	61.09 \pm -	81.32 \pm -
Delta-GAN (Hong et al., 2022a)	60.75 \pm 0.36	80.59 \pm 0.17
RelationVAE	62.84 \pm 0.48	76.43 \pm 0.35

5. Conclusion

In this paper, we study a few shot learning problem on Hematopoiesis data. We propose RelationVAE, a generative model incorporating neighborhood relationships between classes, which are available in Hematopoiesis. Our proposed RelationVAE is able to predict the class information not only from the few available training samples of that class but also from the class information of a neighbor class. Our experiments show the improved results of RelationVAE especially on the 1-shot setting where training data is extremely scarce.

Acknowledgments

This research was partially supported by NSF grants IIS-2123920, IIS-2212046 and NCI grants NCI UH3CA225021, NCI U24CA215109.

References

- Arman Afrasiyabi, Hugo Larochelle, Jean-François Lalonde, and Christian Gagné. Matching feature sets for few-shot image classification. *IEEE/CVF International Conference on Computer Vision and Pattern Recognition (CVPR)*, 2022.
- Marcin Andrychowicz, Misha Denil, Sergio Gómez, Matthew W Hoffman, David Pfau, Tom Schaul, Brendan Shillingford, and Nando de Freitas. Learning to learn by gradient descent by gradient descent. In D. D. Lee, M. Sugiyama, U. V. Luxburg, I. Guyon, and R. Garnett, editors, *Advances in Neural Information Processing Systems 29*, pages 3981–3989. Curran Associates, Inc., 2016.
- Diane Bouchacourt, Ryota Tomioka, and Sebastian Nowozin. Multi-level variational autoencoder: Learning disentangled representations from grouped observations. 05 2017.
- Tianshui Chen, Wenxi Wu, Yuefang Gao, Le Dong, Xiaonan Luo, and Liang Lin. Fine-grained representation learning and recognition by exploiting hierarchical semantic embedding. In *Proceedings of the 26th ACM International Conference on Multimedia*, MM ’18, page 2023–2031. Association for Computing Machinery, 2018. ISBN 9781450356657.
- Wei-Yu Chen, Yen-Cheng Liu, Zsolt Kira, Yu-Chiang Wang, and Jia-Bin Huang. A closer look at few-shot classification. In *International Conference on Learning Representations*, 2019.

- Gerald de Haan and Seka Simone Lazare. Aging of hematopoietic stem cells. *Blood*, 131(5): 479–487, 02 2018. ISSN 0006-4971. doi: 10.1182/blood-2017-06-746412. URL <https://doi.org/10.1182/blood-2017-06-746412>.
- Jessica Deuschel, Daniel Firmbach, Carol I. Geppert, Markus Eckstein, Arndt Hartmann, Volker Bruns, Petr Kuritcyn, Jakob Dextl, David Hartmann, Dominik Perrin, Thomas Wittenberg, and Michaela Benz. Multi-prototype few-shot learning in histopathology. In *Proceedings of the IEEE/CVF International Conference on Computer Vision (ICCV) Workshops*, pages 620–628, October 2021.
- Guanqi Ding, Xinzhe Han, Shuhui Wang, Shuzhe Wu, Xin Jin, Dandan Tu, and Qingming Huang. Attribute group editing for reliable few-shot image generation. 2022.
- Chelsea Finn, Pieter Abbeel, and Sergey Levine. Model-agnostic meta-learning for fast adaptation of deep networks. In Doina Precup and Yee Whye Teh, editors, *Proceedings of the 34th International Conference on Machine Learning*, volume 70 of *Proceedings of Machine Learning Research*, pages 1126–1135, International Convention Centre, Sydney, Australia, 06–11 Aug 2017. PMLR.
- Hang Gao, Zheng Shou, Alireza Zareian, Hanwang Zhang, and Shih-Fu Chang. Low-shot learning via covariance-preserving adversarial augmentation networks. In S. Bengio, H. Wallach, H. Larochelle, K. Grauman, N. Cesa-Bianchi, and R. Garnett, editors, *Advances in Neural Information Processing Systems 31*, pages 975–985. Curran Associates, Inc., 2018.
- Zheng Gu, Wenbin Li, Jing Huo, Lei Wang, and Yang Gao. Lofgan: Fusing local representations for few-shot image generation. In *2021 IEEE/CVF International Conference on Computer Vision (ICCV)*, pages 8443–8451, 2021. doi: 10.1109/ICCV48922.2021.00835.
- B. Hariharan and R. Girshick. Low-shot visual recognition by shrinking and hallucinating features. In *2017 IEEE International Conference on Computer Vision (ICCV)*, pages 3037–3046, 2017.
- Yan Hong, Li Niu, Jianfu Zhang, and Liqing Zhang. Deltagan: Towards diverse few-shot image generation with sample-specific delta. In *ECCV*, 2022a.
- Yan Hong, Li Niu, Jianfu Zhang, and Liqing Zhang. Few-shot image generation using discrete content representation. In *Proceedings of the 30th ACM International Conference on Multimedia, MM ’22*, page 2796–2804, New York, NY, USA, 2022b. Association for Computing Machinery. ISBN 9781450392037. doi: 10.1145/3503161.3548158. URL <https://doi.org/10.1145/3503161.3548158>.
- Aditya Khosla, Nityananda Jayadevaprakash, Bangpeng Yao, and Li Fei-Fei. Novel dataset for fine-grained image categorization. In *First Workshop on Fine-Grained Visual Categorization, IEEE Conference on Computer Vision and Pattern Recognition*, Colorado Springs, CO, June 2011.
- J. Kim, T. Kim, S. Kim, and C. D. Yoo. Edge-labeling graph neural network for few-shot learning. In *2019 IEEE/CVF Conference on Computer Vision and Pattern Recognition (CVPR)*, pages 11–20, 2019. doi: 10.1109/CVPR.2019.00010.

- Hong SH Lee JY. Hematopoietic stem cells and their roles in tissue regeneration. In *International journal of stem cells*, 2020.
- Aoxue Li, Tiange Luo, Zhiwu Lu, Tao Xiang, and Liwei Wang. Large-scale few-shot learning: Knowledge transfer with class hierarchy. In *Proceedings of the IEEE Conference on Computer Vision and Pattern Recognition*, pages 7212–7220, 2019.
- K. Li, Y. Zhang, K. Li, and Y. Fu. Adversarial feature hallucination networks for few-shot learning. In *2020 IEEE/CVF Conference on Computer Vision and Pattern Recognition (CVPR)*, pages 13467–13476, 2020. doi: 10.1109/CVPR42600.2020.01348.
- R. Li, L. Yu, B. Zhou, X. Zeng, Z. Wang, X. Yang, J. Zhang, X. Gao, R. Jiang, and M. Xu. Few-shot learning for classification of novel macromolecular structures in cryo-electron tomograms. In *PLoS computational biology*, 16(11), e1008227., 2020.
- W. Li, L. Wang, J. Xu, J. Huo, Y. Gao, and J. Luo. Revisiting local descriptor based image-to-class measure for few-shot learning. In *2019 IEEE/CVF Conference on Computer Vision and Pattern Recognition (CVPR)*, pages 7253–7260, 2019. doi: 10.1109/CVPR.2019.00743.
- L. Liu, T. Zhou, G. LONG, J. Jiang, and C. Zhang. Many-class few-shot learning on multi-granularity class hierarchy. *IEEE Transactions on Knowledge and Data Engineering*, pages 1–1, 2020. doi: 10.1109/TKDE.2020.3004939.
- Ming-Yu Liu, Xun Huang, Arun Mallya, Tero Karras, Timo Aila, Jaakko Lehtinen, and Jan Kautz. Few-shot unsupervised image-to-image translation. In *The IEEE International Conference on Computer Vision (ICCV)*, October 2019.
- Tiange Luo, Aoxue Li, Tao Xiang, Weiran Huang, and Liwei Wang. Few-shot learning with global class representations. *arXiv preprint arXiv:1908.05257*, 2019.
- Alfonso Medela, Artzai Picon, Cristina Saratxaga, Oihana Belar, Virginia Cabezon, Riccardo Cicchi, Roberto Bilbao, and Ben Glover. Few shot learning in histopathological images:reducing the need of labeled data on biological datasets. pages 1860–1864, 04 2019. doi: 10.1109/ISBI.2019.8759182.
- Zhimao Peng, Zechao Li, Junge Zhang, Yan Li, Guo-Jun Qi, and Jinhui Tang. Few-shot image recognition with knowledge transfer. In *Proceedings of the IEEE/CVF International Conference on Computer Vision (ICCV)*, October 2019.
- Sachin Ravi and Hugo Larochelle. Optimization as a model for few-shot learning. In *ICLR*, 2017.
- Mamshad Nayeem Rizve, Salman Khan, Fahad Shahbaz Khan, and Mubarak Shah. Exploring complementary strengths of invariant and equivariant representations for few-shot learning. In *Proceedings of the IEEE/CVF Conference on Computer Vision and Pattern Recognition (CVPR)*, pages 10836–10846, June 2021.

- Adam Santoro, Sergey Bartunov, Matthew Botvinick, Daan Wierstra, and Timothy Lillcrap. Meta-learning with memory-augmented neural networks. In Maria Florina Balcan and Kilian Q. Weinberger, editors, *Proceedings of The 33rd International Conference on Machine Learning*, volume 48 of *Proceedings of Machine Learning Research*, pages 1842–1850, New York, New York, USA, 20–22 Jun 2016. PMLR.
- Fereshteh Shakeri, Malik Boudiaf, Sina Mohammadi, Ivaxi Sheth, Mohammad Havaei, Ismail Ben Ayed, and Samira Ebrahimi Kahou. Fhist: A benchmark for few-shot classification of histological images. *ArXiv*, abs/2206.00092, 2022.
- Xiahan Shi, Leonard Salewski, Martin Schiegg, and Max Welling. Relational generalized few-shot learning. 2020.
- Flood Sung, Yongxin Yang, Li Zhang, Tao Xiang, Philip Torr, and Timothy Hospedales. Learning to compare: Relation network for few-shot learning. pages 1199–1208, 06 2018. doi: 10.1109/CVPR.2018.00131.
- Shixiang Tang, Dapeng Chen, Lei Bai, Kaijian Liu, Yixiao Ge, and Wanli Ouyang. Mutual crf-gnn for few-shot learning. In *Proceedings of the IEEE/CVF Conference on Computer Vision and Pattern Recognition (CVPR)*, pages 2329–2339, June 2021.
- Yonglong Tian, Yue Wang, Dilip Krishnan, Joshua B. Tenenbaum, and Phillip Isola. Rethinking few-shot image classification: A good embedding is all you need? In Andrea Vedaldi, Horst Bischof, Thomas Brox, and Jan-Michael Frahm, editors, *ECCV*, 2020.
- Pavel Tokmakov, Yu-Xiong Wang, and Martial Hebert. Learning compositional representations for few-shot recognition. In *The IEEE International Conference on Computer Vision (ICCV)*, October 2019.
- Oriol Vinyals, Charles Blundell, Timothy Lillicrap, koray kavukcuoglu, and Daan Wierstra. Matching networks for one shot learning. In D. D. Lee, M. Sugiyama, U. V. Luxburg, I. Guyon, and R. Garnett, editors, *Advances in Neural Information Processing Systems 29*, pages 3630–3638. Curran Associates, Inc., 2016.
- C. Wah, S. Branson, P. Welinder, P. Perona, and S. Belongie. The Caltech-UCSD Birds-200-2011 Dataset. Technical Report CNS-TR-2011-001, California Institute of Technology, 2011.
- R. Walsh, M.H. Abdelpakey, and M.S. Shehata. Automated human cell classification in sparse datasets using few-shot learning. In *Sci Rep 12, 2924.*, 2022.
- Y. Wang, R. Girshick, M. Hebert, and B. Hariharan. Low-shot learning from imaginary data. In *2018 IEEE/CVF Conference on Computer Vision and Pattern Recognition*, pages 7278–7286, 2018.
- Davis Wertheimer, Luming Tang, and Bharath Hariharan. Few-shot classification with feature map reconstruction networks. In *Proceedings of the IEEE/CVF Conference on Computer Vision and Pattern Recognition (CVPR)*, pages 8012–8021, June 2021.

- Jiangtao Xie, Fei Long, Jiaming Lv, Qilong Wang, and Peihua Li. Joint distribution matters: Deep brownian distance covariance for few-shot classification. In *CVPR*, 2022.
- Chengming Xu, Yanwei Fu, Chen Liu, Chengjie Wang, Jilin Li, Feiyue Huang, Li Zhang, and Xiangyang Xue. Learning dynamic alignment via meta-filter for few-shot learning. In *Proceedings of the IEEE/CVF Conference on Computer Vision and Pattern Recognition (CVPR)*, pages 5182–5191, June 2021.
- Shuo Yang, Lu Liu, and Min Xu. Free lunch for few-shot learning: Distribution calibration. In *International Conference on Learning Representations (ICLR)*, 2021.
- Huaxiu Yao, Chuxu Zhang, Ying Wei, Meng Jiang, Suhang Wang, Junzhou Huang, Nitesh Chawla, and Zhenhui Li. Graph few-shot learning via knowledge transfer. *Proceedings of the AAAI Conference on Artificial Intelligence*, pages 6656–6663, 04 2020.
- Guo G Ye F, Huang W. Studying hematopoiesis using single-cell technologies. In *Journal of hematology & oncology*, 2017.
- Baoquan Zhang, Xutao Li, Yunming Ye, Zhichao Huang, and Lisai Zhang. Prototype completion with primitive knowledge for few-shot learning. In *Proceedings of the IEEE/CVF Conference on Computer Vision and Pattern Recognition (CVPR)*, pages 3754–3762, June 2021.
- Ruixiang Zhang, Tong Che, Zoubin Ghahramani, Yoshua Bengio, and Yangqiu Song. Metagan: An adversarial approach to few-shot learning. In S. Bengio, H. Wallach, H. Larochelle, K. Grauman, N. Cesa-Bianchi, and R. Garnett, editors, *Advances in Neural Information Processing Systems 31*, pages 2365–2374. Curran Associates, Inc., 2018.
- Tao Zhang and Wu Huang. Kernel relative-prototype spectral filtering for few-shot learning. In Shai Avidan, Gabriel Brostow, Moustapha Cissé, Giovanni Maria Farinella, and Tal Hassner, editors, *Computer Vision – ECCV 2022*, pages 541–557, Cham, 2022. Springer Nature Switzerland. ISBN 978-3-031-20044-1.

Appendix A. Proof of Pairwise Evidence Lower Bound (P-ELBO)

In this section, we present the proof of Pairwise Evidence Lower Bound (P-ELBO) of the log likelihood of the data X_i and X_j which belong to two neighbor classes y_i and y_j (proof of equation (1) in the main paper). We first recapitulate the notations and assumptions we have for P-ELBO as below.

We assume the prior of class content and style variables be Gaussian distributions with zero mean and unit variance:

$$p(z) = \mathcal{N}(\mathbf{0}, \mathbf{I}), \quad p(c) = \mathcal{N}(\mathbf{0}, \mathbf{I}) \quad (8)$$

Furthermore we approximate the true posteriors $p_\theta(c_i|X_i c_j)$, $p_\theta(c_j|X_i X_j)$, $p_\theta(Z|X)$ by the Gaussian variational posteriors $q_{\phi_1}(c_i|X_i c_j)$, $q_{\phi_2}(c_j|X_i X_j)$, and $q_\gamma(Z|X)$ whose distri-

butions are defined as follows:

$$q_{\phi_1}(c_i|X_i, c_j) = \mathcal{N}(c_i|\phi_1^\mu(X_i c_j), \phi_1^\Sigma(X_i c_j)) \quad (9)$$

$$q_{\phi_2}(c_j|X_i, X_j) = \mathcal{N}(c_j|\phi_2^\mu(X_i X_j), \phi_2^\Sigma(X_i X_j)) \quad (10)$$

$$q_\gamma(Z|X) = \mathcal{N}(Z|\gamma^\mu(X), \gamma^\Sigma(X)) \quad (11)$$

In order to enforce the dependence of a class y_i on its neighbor y_j , we define a transition probability from c_j to c_i as a Gaussian distribution with mean c_j and learnable variance ω

$$P_\omega(c_i|c_j) = \mathcal{N}(c_i|\mu = c_j, \Sigma = \omega) \quad (12)$$

The log pairwise likelihood of the data X_i and X_j is derived as:

$$\begin{aligned} \log p_\theta(X_i, X_j) &= \log \frac{p_\theta(X_i, X_j, c_i, c_j, Z_i, Z_j)}{p_\theta(c_i, c_j, Z_i, Z_j|X_i, X_j)} \\ &= \log \frac{p_\theta(X_i, X_j|c_i, c_j, Z_i, Z_j)p_\omega(c_i, c_j)p(Z_i)p(Z_j)}{p_\theta(Z_i|X_i)p_\theta(Z_j|X_j)p_\theta(c_i|X_i, X_j, c_j)p_\theta(c_j|X_i, X_j)} \\ &= \log \frac{p_\theta(X_i|c_i, Z_i)p_\theta(X_j|c_j, Z_j)p_\omega(c_i, c_j)p(Z_i)p(Z_j)}{p_\theta(Z_i|X_i)p_\theta(Z_j|X_j)p_\theta(c_i|X_i, X_j, c_j)p_\theta(c_j|X_i, X_j)} \\ &+ \log \frac{q_\gamma(Z_i|X_i)}{q_\gamma(Z_i|X_i)} + \log \frac{q_\gamma(Z_j|X_j)}{q_\gamma(Z_j|X_j)} + \log \frac{q_{\phi_2}(c_j|X_i, X_j)}{q_{\phi_2}(c_j|X_i, X_j)} + \log \frac{q_{\phi_1}(c_i|X_i, c_j)}{q_{\phi_1}(c_i|X_i, c_j)} \end{aligned} \quad (13)$$

Applying the expectation terms to $\log p_\theta(X_i, X_j)$, we have:

$$\begin{aligned} \log p_\theta(X_i, X_j) &= \mathbb{E}_{q_\gamma(Z_i|X_i)} \mathbb{E}_{q_\gamma(Z_j|X_j)} \mathbb{E}_{q_{\phi_2}(c_j|X_i, X_j)} \mathbb{E}_{q_{\phi_1}(c_i|X_i, c_j)} \log p_\theta(X_i, X_j) \\ &= \mathbb{E}_{q_\gamma(Z_i|X_i)} \mathbb{E}_{q_{\phi_2}(c_j|X_i, X_j)} \mathbb{E}_{q_{\phi_1}(c_i|X_i, c_j)} \log p_\theta(X_i|c_i, Z_i) \\ &+ \mathbb{E}_{q_\gamma(Z_j|X_j)} \mathbb{E}_{q_{\phi_2}(c_j|X_i, X_j)} \log p_\theta(X_j|c_j, Z_j) \\ &- \mathbb{E}_{q_{\phi_2}(c_j|X_i, X_j)} D_{KL}[q_{\phi_1}(c_i|X_i, c_j)||P_\omega(c_i|c_j)] \\ &- D_{KL}[q_{\phi_2}(c_j|X_i, X_j)||P(c_j)] \\ &- D_{KL}[q_\gamma(Z_i|X_i)||p(Z_i)] \\ &- D_{KL}[q_\gamma(Z_j|X_j)||p(Z_j)] \\ &+ \mathbb{E}_{q_{\phi_2}(c_j|X_i, X_j)} D_{KL}[q_{\phi_1}(c_i|X_i, c_j)||p_\theta(c_i|X_i, c_j)] \\ &+ D_{KL}[q_{\phi_2}(c_j|X_i, X_j)||p_\theta(c_j|X_i, X_j)] \\ &+ D_{KL}[q_\gamma(Z_i|X_i)||p_\theta(Z_i|X_i)] \\ &+ D_{KL}[q_\gamma(Z_j|X_j)||p_\theta(Z_j|X_j)] \end{aligned} \quad (14)$$

which is equivalent to

$$\log p_\theta(X_i, X_j) - \mathbb{E}_{q_{\phi_2}(c_j|X_i, X_j)} D_{KL}[q_{\phi_1}(c_i|X_i, c_j)||p_\theta(c_i|X_i, c_j)] - D_{KL}[q_{\phi_2}(c_j|X_i, X_j)||p_\theta(c_j|X_i, X_j)] \quad (15a)$$

$$- D_{KL}[q_\gamma(Z_i|X_i)||p_\theta(Z_i|X_i)] - D_{KL}[q_\gamma(Z_j|X_j)||p_\theta(Z_j|X_j)] \quad (15b)$$

$$= \mathbb{E}_{q_\gamma(Z_i|X_i)} \mathbb{E}_{q_{\phi_2}(c_j|X_i, X_j)} \mathbb{E}_{q_{\phi_1}(c_i|X_i, c_j)} \log p_\theta(X_i|c_i, Z_i) \quad (15c)$$

$$+ \mathbb{E}_{q_\gamma(Z_j|X_j)} \mathbb{E}_{q_{\phi_2}(c_j|X_i, X_j)} \log p_\theta(X_j|c_j, Z_j) \quad (15d)$$

$$- \mathbb{E}_{q_{\phi_2}(c_j|X_i, X_j)} D_{KL}[q_{\phi_1}(c_i|X_i, c_j)||P_\omega(c_i|c_j)] \quad (15e)$$

$$- D_{KL}[q_{\phi_2}(c_j|X_i, X_j)||P(c_j)] \quad (15f)$$

$$- D_{KL}[q_\gamma(Z_i|X_i)||p(Z_i)] \quad (15g)$$

$$- D_{KL}[q_\gamma(Z_j|X_j)||p(Z_j)] \quad (15h)$$

This is the derivation of the Pairwise Evidence Lower Bound (P-ELBO) (equation (1) in the main paper).

Appendix B. Derivations of RelationVAE losses

In this section, we present how loss functions of RelationVAE (equations (3, 4, 5, 6) in the main paper) are derived from P-ELBO (equation (1) in the main paper or equation (15) in section A).

B.1. Derivation of L_{recons} from equations (15c), (15d)

Similar to a traditional VAE, maximization of $P_\theta(x|c, z)$ is implemented by minimization of the reconstruction loss

$$\|x - x'\|^2 \quad (16)$$

where x is the input sample and x' is the output of the decoder. As a result, from (15c) and (15d), we have the reconstruction loss L_{recons} in equation (3) of the main paper.

$$L_{recons} = \|x_i - x'_i\|^2 + \|x_j - x'_j\|^2 \quad (17)$$

B.2. Derivation of $L_{content_1}$ from equation (15e)

For simplicity, we denote μ_{c_i} and Σ_{c_i} as the mean and the diagonal of the diagonal covariance matrix of the distribution $q_{\phi_1}(c_i|X_i, c_j)$.

From (15e), we have $L_{content_1}$ defined as the KL Divergence between two multivariate normal distributions as follows:

$$\begin{aligned}
 D_{KL}[q_{\phi_1}(c_i|X_i, c_j)||P_{\omega}(c_i|c_j)] &= D_{KL}[\mathcal{N}(\mu_{c_i}, \Sigma_{c_i})||\mathcal{N}(c_j, \omega)] \\
 &= \frac{1}{2} \left(\text{Tr}(\omega^{-1}\Sigma_{c_i}) + (c_j - \mu_{c_i})^T \omega^{-1} (c_j - \mu_{c_i}) - K + \log \frac{\det \omega}{\det \Sigma_{c_i}} \right)
 \end{aligned} \tag{18}$$

Considering each component, we have:

$$\text{Tr}(\omega^{-1}\Sigma_{c_i}) = \text{Tr} \begin{pmatrix} \frac{\Sigma_{c_i}^{(1)}}{\omega^{(1)}} & & & \\ & \frac{\Sigma_{c_i}^{(2)}}{\omega^{(2)}} & & \\ & & \ddots & \\ & & & \frac{\Sigma_{c_i}^{(K)}}{\omega^{(K)}} \end{pmatrix} = \sum_k \frac{\Sigma_{c_i}^{(k)}}{\omega^{(k)}} = \exp(\log \Sigma_{c_i}^{(k)} - \log \omega^{(k)}) \tag{19}$$

and

$$\begin{aligned}
 (c_j - \mu_{c_i})^T \omega^{-1} (c_j - \mu_{c_i}) &= (c_j - \mu_{c_i})^T \begin{pmatrix} \frac{1}{\omega^{(1)}} & & & \\ & \frac{1}{\omega^{(2)}} & & \\ & & \ddots & \\ & & & \frac{1}{\omega^{(K)}} \end{pmatrix} (c_j - \mu_{c_i}) \\
 &= \sum_k \frac{(c_j^{(k)} - \mu_{c_i}^{(k)})^2}{\omega^{(k)}}
 \end{aligned} \tag{20}$$

and

$$\begin{aligned}
 \log \frac{\det \omega}{\det \Sigma_{c_i}} &= \log \frac{\prod_k \omega^{(k)}}{\prod_k \Sigma_{c_i}^{(k)}} \\
 &= \log \prod_k \frac{\omega^{(k)}}{\Sigma_{c_i}^{(k)}} \\
 &= \sum_k (\log \omega^{(k)} - \log \Sigma_{c_i}^{(k)})
 \end{aligned} \tag{21}$$

where k is the index of dimensionality.

Putting equations 19, 20, and 21 together we have

$$D_{KL}[q_{\phi_1}(c_i|X_i, c_j)||P_{\omega}(c_i|c_j)] = \frac{1}{2} \sum_k \left[\exp(\log \Sigma_{c_i}^{(k)} - \log \omega^{(k)}) + \frac{(c_j^{(k)} - \mu_{c_i}^{(k)})^2}{\omega^{(k)}} + (\log \omega^{(k)} - \log \Sigma_{c_i}^{(k)}) - 1 \right] \tag{22}$$

Skipping the constant 1 during optimization, equation (22) becomes $L_{content_1}$ (equation (4) in the main paper.)

B.3. Derivation of $L_{content_2}$ from equation (15f) and L_{style} from equations (15g),(15h)

Similar to the above, for simplicity, we denote $(\mu_{c_j}, \Sigma_{c_j}), (\mu_{z_i}, \Sigma_{z_i}), (\mu_{z_j}, \Sigma_{z_j})$ as means and diagonals of diagonal covariance matrices of the distributions $q_{\phi_2}(c_j|X_i, X_j), q_{\gamma}(z_i|x_i)$ and $q_{\gamma}(z_j|x_j)$

From (15f), we have the loss $L_{content_2}$

$$\begin{aligned} L_{content_2} &= D_{KL}[q_{\phi_2}(c_j|X_i, X_j)||P(c_j)] \\ &= D_{KL}[\mathcal{N}(\mu_{c_j}, \Sigma_{c_j})||\mathcal{N}(\mathbf{0}, \mathbf{I})] \\ &= \frac{1}{2} \sum_k [\Sigma_{c_j}^{(k)2} + \mu_{c_j}^{(k)2} - 2 \log(\Sigma_{c_j}^{(k)}) - 1] \end{aligned} \tag{23}$$

Similarly for (15g) and (15h)

$$D_{KL}[q_{\gamma}(z_i|x_i)||p(z_i)] = \frac{1}{2} \sum_k [\Sigma_{z_i}^{(k)2} + \mu_{z_i}^{(k)2} - 2 \log(\Sigma_{z_i}^{(k)}) - 1] \tag{24}$$

$$D_{KL}[q_{\gamma}(z_j|x_j)||p(z_j)] = \frac{1}{2} \sum_k [\Sigma_{z_j}^{(k)2} + \mu_{z_j}^{(k)2} - 2 \log(\Sigma_{z_j}^{(k)}) - 1] \tag{25}$$

combining equations 24 and 25, we have the style loss L_{style} :

$$L_{style} = \frac{1}{2} \sum_{e \in \{i,j\}} \sum_k [\Sigma_{z_e}^{(k)2} + \mu_{z_e}^{(k)2} - 2 \log(\Sigma_{z_e}^{(k)}) - 1] \tag{26}$$

Appendix C. Hematopoiesis dataset

In this section, we show the summary of the Hematopoiesis dataset at table 2.

Appendix D. Additional Implementation Details

For simplicity, we train RelationVAE on 1D visual features instead of images. The final classifier is also trained on the visual features generated by RelationVAE. Specifically, we use Baseline++ (Chen et al., 2019) with ResNet-18 backbone to extract features of input images to use with RelationVAE. For fair comparison, we also use the ResNet-18 backbone for all other compared methods.

In our implementation of the RelationVAE, the encoder ϕ_1 is a fully connected neural network which takes a sample x_i of class y_i and the class information c_j of its neighbor class y_j to output the mean and variance of the class discriminative feature c_i . This network consists of one intermediate fully connected layer with 500 output neurons and two fully connected output layers with 384 output neurons each, one for the mean and one for the variance. The other two encoders, γ and ϕ_2 , are combined into a single fully connected

Table 2: Statistics of the Hematopoietis dataset

Class	Base(B)/ Novel(N)	#Images	Class	Base(B)/ Novel(N)	#Images
Monocyte	B	104	Myelocyte	N	378
Early-Erythroblast	B	332	Platelet	N	175
Metamyelocyte	B	245	Intermediate-Erythroblast	N	1537
Plasmacell	B	20	Neutrophil	N	702
Band	B	809	RBC	N	633
Late-Erythroblast	B	824	MastCell	N	7
Promyelocyte	B	143	Eosinophil	N	188
Macrophage	B	3	Basophil	N	88
Lymphocyte	B	430	Proerythroblast	N	126
Blast	B	82			
Megakaryocyte	B	398			
NucleatedRBC	B	196			

network which takes pairs of samples from neighbor classes x_i and x_j as input and outputs means and variances of the two styles z_i , and z_j together with the mean and variance of the class discriminative feature c_j . Similar to ϕ_1 , this network consists of one intermediate fully connected layer with 500 output neurons, and six fully connected output layers for the means and variances of the styles (size 256) and class discriminative feature (size 384). Our decoder θ and the classifier are implemented as fully connected two-layer networks, each with 500 hidden neurons.

Appendix E. Experiments on CUB and SDOGs

To show the generality of RelationVAE, we also test the method on two commonly used FSL datasets: Caltech USCD Birds (CUB) with 11,788 images of 200 bird classes (Wah et al., 2011) and Stanford Dogs (SDOGs) (Khosla et al., 2011) with 20,580 images of 120 dog categories selected from the ImageNet dataset. We split the datasets into base, validation and novel sets with the ratio 100:50:50 for CUB and 70:20:30 for SDOGs (see (Chen et al., 2019; Li et al., 2019)). Because human-provided relationship information is not included in these datasets, we simulate this information by utilizing the taxonomy hierarchy provided by (Chen et al., 2018) for CUB and the ImageNet hierarchy for SDOGs. Specifically we establish similarity relationships between classes under the same bird/dog family. Note that we are not using the hierarchies directly, but just employ them to simulate the human-provided relationships.

Results on the CUB and SDOGs datasets are shown in table 3. RelationVAE achieves SoTA performance on 1-shot setting on both datasets. On 5-shot setting, RelationVAE outperforms other methods on SDOGs dataset while being among the best methods on CUB dataset.

These experiments on CUB and SDOGs show that our method is general which can be applied on other FSL problems with predefined relationships.

FEW SHOT HEMATOPOIETIC CELL CLASSIFICATION

Table 3: Few Shot Learning results with top-1 accuracy and the 95% confidence interval on the CUB and SDOGs datasets. The first block is discriminative methods, the second block is generative methods, and last block is our RelationVAE.

Method	CUB		SDOGs	
	1-shot	5-shot	1-shot	5-shot
Baseline++ (Chen et al., 2019)	68.21 ± 0.94	80.44 ± 0.73	58.12 ± 1.00	72.97 ± 0.69
MatchingNet (Vinyals et al., 2016)	75.58 ± 0.95	85.48 ± 0.63	31.2 ± 0.40	76.4 ± 0.13
MAML (Finn et al., 2017)	75.9 ± 0.35	84.1 ± 0.12	61.9 ± 0.21	75.3 ± 0.12
RelationNet (Sung et al., 2018)	71.28 ± 0.98	83.52 ± 0.62	60.4 ± 0.41	75.1 ± 0.40
RFS (Tian et al., 2020)	75.7 ± 0.6	83.69 ± 0.3	59.8 ± 0.70	76.2 ± 0.54
MultilevelVAE (Bouchacourt et al., 2017)	76.3 ± 0.85	86.9 ± 0.58	56.25 ± 0.84	63.96 ± 0.75
Distribution Calibration (Yang et al., 2021)	78.8 ± -	89.1 ± -	69.8 ± -	83.7 ± -
RelationVAE	79.2 ± 0.87	87.8 ± 0.53	73.08 ± 0.84	84.27 ± 0.52